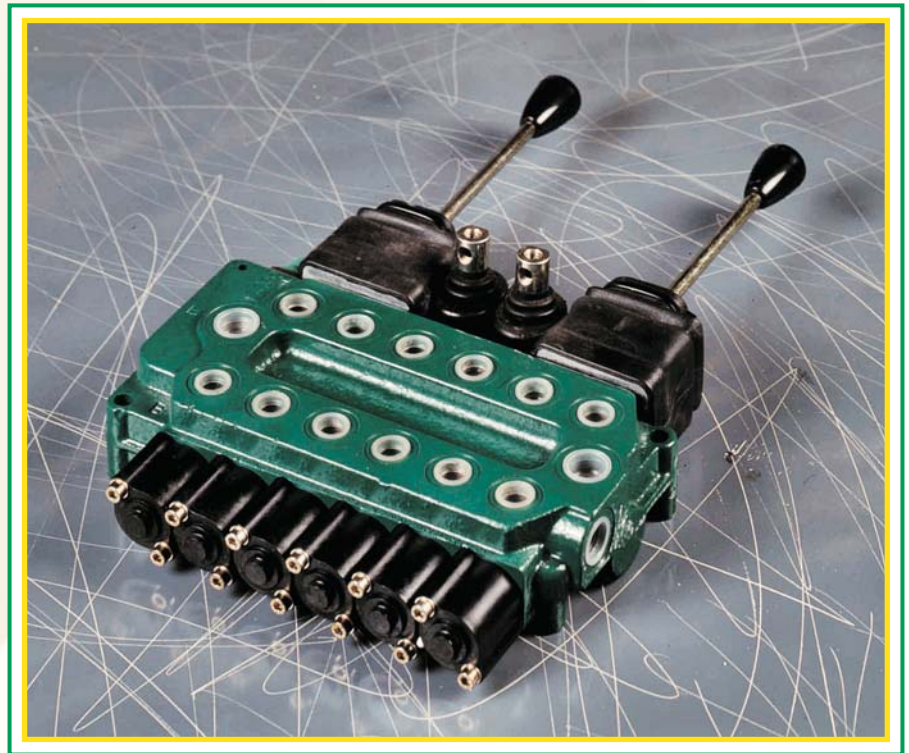




PRODUCT CARD



VDM6 MONOBLOCK VALVE

E0.02.0705.02.00



Page 1 - GENERAL INDEX

Page 2 - General features

Page 3 - Technical data - Working conditions

Page 4 - Operating principle

Page 5 - Hydraulic fluids - Installation - Filtration - Pipes

Page 6 - Performance data - Metering curves - Valve working limit

Page 7 - Performance data - Pressure drop "P" to "T" - Pressure drop "P" to "A/B" and "A/B" to "T"

Page 8 - Dimensions from 2 to 5 sections monoblock

Page 9 - Dimension for 1 section monoblock

Page 10 - Ports

Page 11 - Inlet and outlet types

Page 12 - Working sections (hydraulic circuits)

Page 13 - Notes

Page 14 - 15 - Circuit and spool types

Page 16 - Main relief valves

Page 17 - Venting valves

Pages 18 - 19 - Auxiliary valves

Page 20 - Spool controls and spool positionings

Page 21 - Spool controls - SL- NL - MP

Page 22 - Spool controls - PF - L1/L2

Page 23 - Spool controls - L3/L4 - Standard shafts

Page 24 - Rotary control devices - CR

Page 25 - Cable remote controls - TC

Page 25 - Direct electric push-pull control and emergency devices - E7/E8 - ES

Page 26 - Hydraulic controls - IP - IF

Page 27 - Pneumatic and electro-pneumatic controls - PP/P0 - P1/P2 - PQ

Page 28 - 29 - Electro-hydraulic controls only for one section monoblock - H1/H2 - KM12/KM24

Page 30 - Spool positionings - C2 -C3 - C4 - C5 - C6 - C7 - C8

Page 31 - Spool positionings - R2 - R4 - R5 - R6 - R7 - R9 - C0

Page 32 - Spool positionings - F1 - F2 - F3 - F4 - F5 - F6 - F7 - F8

Page 33 - Spool positionings - PM

Page 34 - Spool positionings - CE - CM - CW - CD

Page 35 - Spool positionings - G2 - G4 - G5 - G6 - G7 - G8

Page 36 - How to order - VDM6

Page 37 - Identification label

Page 38 - WARRANTY

 When in our catalogues you will find this symbol, please read carefully

E0.02.0705.02.00

The data in this catalogue refers to the standard product.

The policy of Salami S.p.A. consists of a continuous improvement of its products. It reserves the right to change the specifications of the different products whenever necessary and without giving prior information.

If any doubts, please get in touch with our sales department.

GENERAL FEATURES

Among all hydraulic directional control valves used in the field of mobile equipment applications, the spool valve is the most popular.

The monoblock valve type offers an excellent performance price ratio.

FEATURES

VDM6 directional control valve has the following:

- cast-iron monoblock construction up to 6 spools
- parallel circuit, load check valve protection on down-stream of the pressure "P" line
- tandem circuit, only the first working section, l.c.v. protection + l.c.v. protection on down-stream of the "P" line
- possibility of venting valve
- possibility of power beyond
- spool construction in steel, hardened and nichel-plated to obtain a higher surface hardness and a better corrosion resistance
- several types of spool: double, single acting, spool motor, float position etc.
- minimum tolerance between the spools and the body to obtain a minimum internal leakage
- interchangeability of all the spools
- several spool control devices and spool positioning devices

VALVE AND DEVICE TYPES

In order to meet the most stringent demands and to offer a wider range of applications, the following types of valves and devices are available:

Valves





- direct main relief valve: controls the maximum pressure in the circuit when one or more spools are on end stroke located on "A" port side, can be:
direct type version up to 375 bar - 5440 psi
- electric venting valve is available as:
12 or 24 Vdc and normally open or normally closed versions
- flow restrictor: directly fitted on the "A/B" ports orifice
- hydraulic piloted load check valve on the "A/B" ports: built-in a manifold assembled on the top of the VDM6

Devices

- handle controls
- cross lever: allows to acting two spools with one manual joystick
- cable remote control
- control device for microswitches: for the operation with electric d.c. motor driven pumps at one or more rotation speeds
- hydraulic kick-out: returns the spool automatically to the neutral position when the pre-set pressure of port "A" or "B" is exceeded
- anti-tilt device: the spool returns automatically in neutral position when the pressure reaches a pre-set value to avoid cranes from becoming unstable
- pneumatic proportional control available also with float position
- electropneumatic control
- hydraulic proportional control available also with float position
- direct electric on-off control with emergency manual device
- electrohydraulic on-off and proportional control, available also for 1 working section monoblock
- several spool positionings device to return the spool to neutral position or to lock the spool on working position
- rotary control



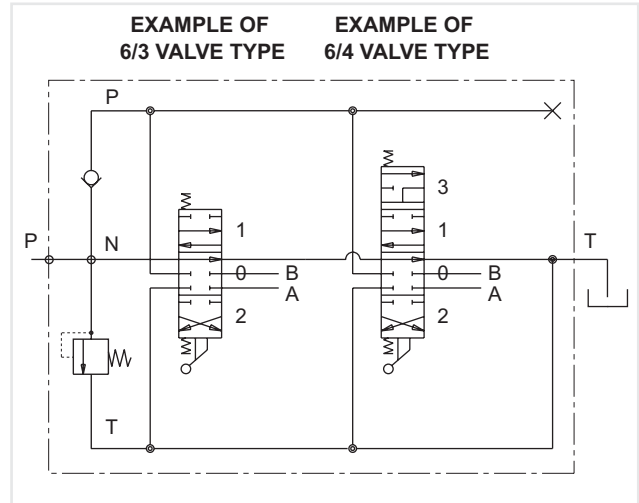
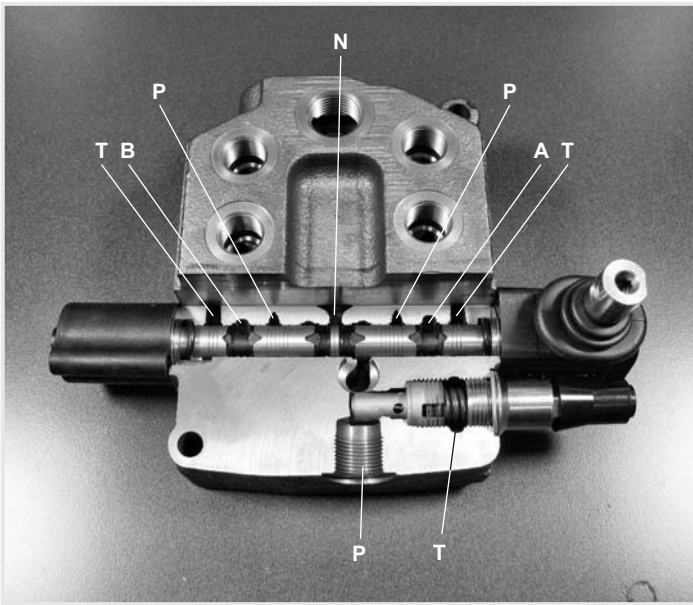
TECHNICAL DATA

Spools	from 1 to 8 (for more working modules pls. contact our sales department)		
Nominal flow	Q	45 l/min	(12 gpm US)
 Max flow		60 l/min	(16 gpm US)
Max pressure	port P	350 bar	(5100 psi)
	ports A/B	350 bar	(5100 psi)
	 port T	25 bar	(363 psi)
Internal leakage at 160 bar (2285 psi)	ports A/B → T	18 ÷ 25	cm ³ /min (1.1 ÷ 1.52 cu.in./min)
For lower leakage please contact our sales dept.			
In case of solenoid control the leakage is		100 ÷ 120 cm ³ /min (6.1 ÷ 7.32 cu.in./min)	
Spool stroke (positions 1 and 2)		± 6 mm	(0,236 in.)
Spool stroke (position 4, float or regenerative)		± 6 + 4 mm	(0.236 + 0.157 in.)
For direct solenoid control - spool stroke		± 2.5 mm	(0,098 in.)
Stroke of the overcenter spools		± 4.5 mm	(0.177 in.)
	In case you need flows from 45 l/min to 60 l/min please contact our sales dept.		
	For higher back pressure please contact our sales dept.		
All technical data carried out using mineral oil with viscosity of 16 cSt and contamination level 19/16 as ISO 4406.			

WORKING CONDITIONS

Hydraulic fluid	mineral oil according to DIN 51524		
Viscosity	viscosity range	10...400 mm ² /sec	(0.15...7.13 sq.in./sec)
	optimal viscosity	12...75 mm ² /sec	(0.19...1.16 sq.in./sec)
Temperature	fluid range temperature	-20...85 °C	(-4...185 °F) NBR seals
	suggested range	30...60 °C	(86...140 °F) NBR seals
Maximum contamination level	NAS 1683: class 9 ISO 4406: 19/16		
Room temperature	-30...60 °C (-22...140 °F)		
Working limits	see diagrams at page 6		
Pressure drop	see diagrams at page 7		
For operation with fire resistant fluid, please contact our sales department			

OPERATING PRINCIPLE



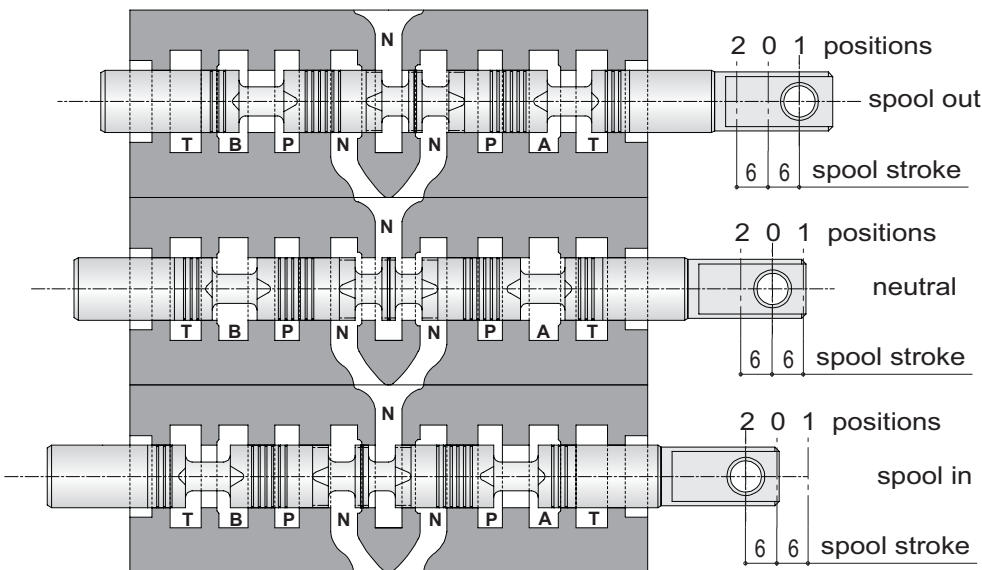
The picture show the paths N - P - A - T, the other paths are simmetrical

Salami directional control valves belong to the 6/3 (or 6/4) type; they can control 6 gallery in 3 (or 4) spool positions simultaneously.

They are open circuit types: when the spool is in neutral position, the fluid flows directly to the tank with minimum internal pressure drops (approximately 1 bar / 14.5 psi for each spool at nominal flow).

When the spool is moved from this position, the neutral gallery is gradually throttled and the connection between pump and actuator, through the corresponding port, is made.

When pressure exceeds the value of the pressure existing in port A or B, the fluid flows through the load check valve to the actuator.



IMPORTANT

Looking at this side of the spool, we usually say: spool in when the spool is pushed into the valve and spool out when it is pulled out of the valve. Depending on assembling of the spool on "A" or "B" side

There are two characteristic phases in the spool stroke (6 mm - 0,236 in.):

a) the overlap phase (about 18% of the stroke) guarantees minimum internal leakages in neutral position;

b) the progressive flow regulation phase (82% of the stroke).

Both pictures show a 6/3 valve type with double acting spool only as principle of functioning.

Salami VDM6 is available in different solutions.

HYDRAULIC FLUIDS

Usually a mineral-base oil with a good viscosity index should be used, preferably with good lubricating properties and corrosion, oxidation and foaming resistant.

Sometimes the fluids supplied by the manufacturers do not satisfy purity requirements (see page 3 WORKING CONDITIONS). It is therefore necessary to filter the fluid carefully before filling. Your supplier can give you the information about NAS class of its fluids. To maintain the proper purity class, the use of filters of high dirt capacity with clogging indicator is recommended.

Under humidity conditions it is necessary to use hygroscopic salts.

For operation with fire resistant and ecological fluids, please contact our technical department.

INSTALLATION

When proceeding to mount the unit on the structure and to connect fittings to work ports, it is necessary to comply with the values of tightening torques.

The attachment of linkages to spools should not affect their operation. The mounting position can be vertical with inlet module on the top or horizontal.

Standard tightening torques - Nm / lbft

FITTING TYPE	P and PL ports	A and B ports	T and TL ports
BSP (ISO 228/1)	G 3/8	G 3/8	G 1/2
with o-ring seal	30 / 22.1	30 / 22.1	50 / 36.9
with copper washer	40 / 29.5	40 / 29.5	60 / 44.2
with steel washer	40 / 29.5	40 / 29.5	60 / 44.2
SAE	SAE 8 (3/4-16 UNF)	SAE 8 (3/4-16 UNF)	SAE 10 (7/8-14 UNF)
with o-ring seal	30 / 22.1	30 / 22.1	60 / 44.2

FILTRATION

The contamination of the fluid in the system greatly affects the life of the unit. Above all, contamination may result in irregular operation, wear of seals in valve housings and failures. Once the initial contamination level of the system has been reached, it is necessary to limit any increase of contamination installing an efficient filtration system (see working conditions page 3).

PIPES

Pipes should be as short as possible, without restrictions or sharp bends (especially the return lines). Before connecting pipes to the fittings of the corresponding components, make sure that they are free from burrs and other contamination.

As a first approximation, for a mobile machine with standard length pipes, their width should guarantee the following values of fluid speed*:

6 ÷ 10 m/sec	inlet pipe	19,7 ÷ 32,8 ft/sec	inlet pipe
3 ÷ 5 m/sec	outlet pipe	9,9 ÷ 16,4 ft/sec	outlet pipe

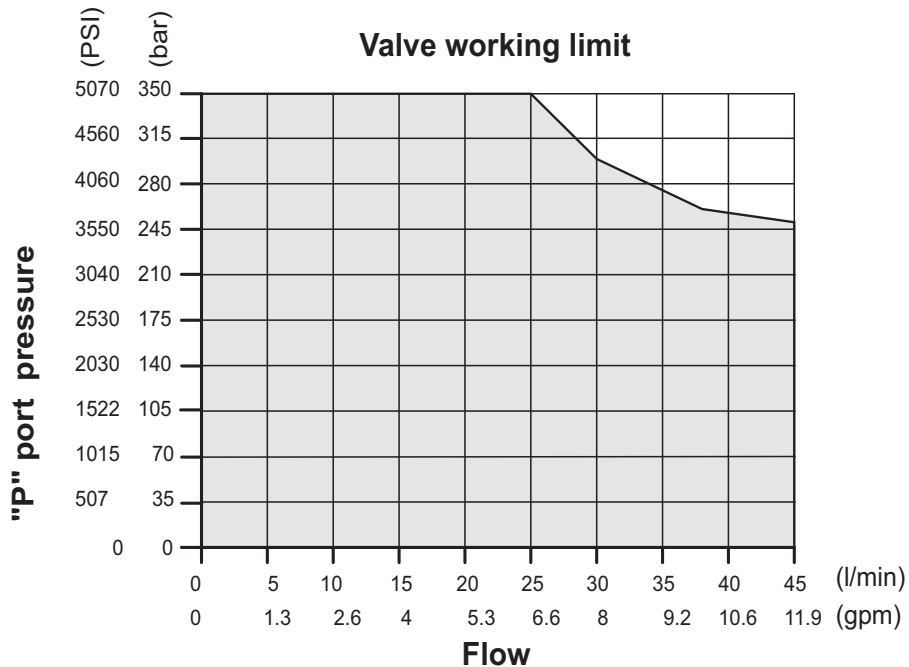
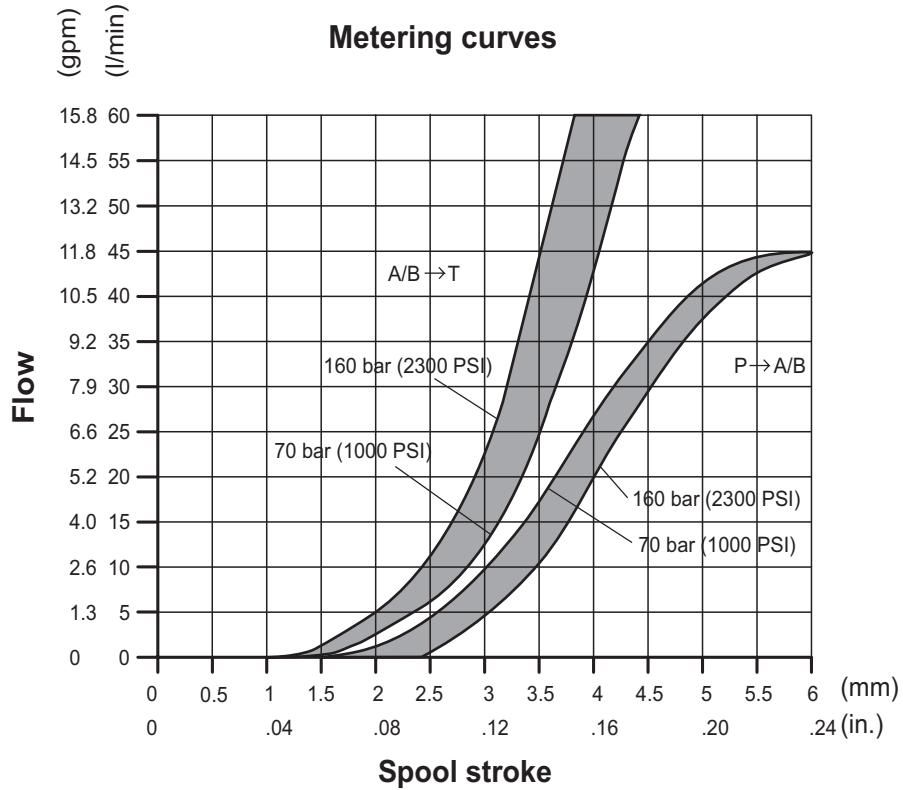
the lowest values of fluid speed are required in case of wide temperature range and/or for continuous duty.

$$* [v = \frac{21,2 \times Q}{d^2}] \quad v = \text{fluid speed [m/sec]}, \quad Q = \text{flow [l/min]}, \quad d = \text{pipe internal diameter [mm]}$$

PERFORMANCE DATA

The characteristics in this catalogue are typical measured results.
During measuring a mineral based hydraulic oil with a viscosity of 16 cSt at a temperature of 50°C was used.

FOR FURTHER DETAILS PLEASE CONTACT OUR SALES DEPARTEMENT



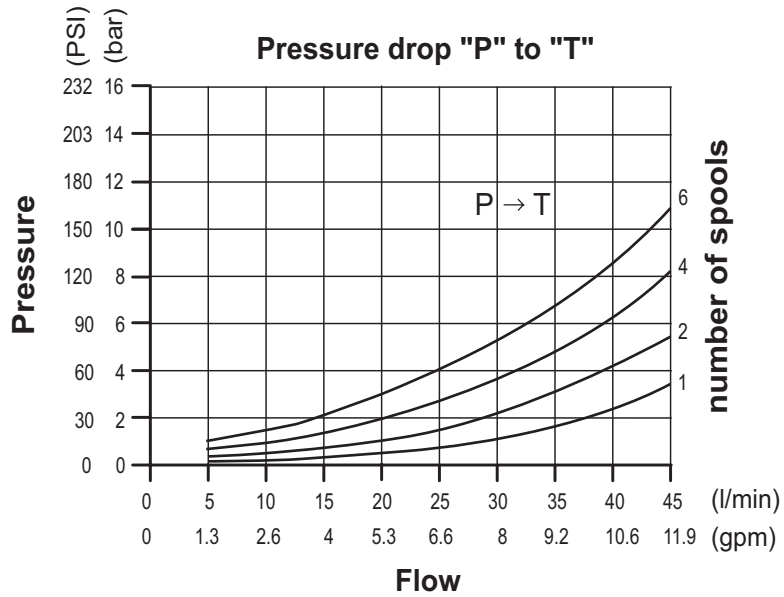
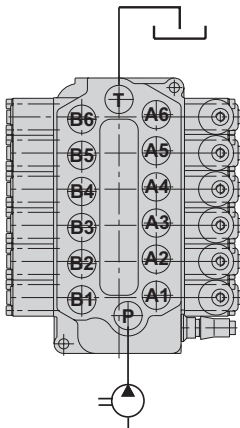
The data of this diagram have been obtained with a force of:
stroke beginning 80 N - stroke end 105 N and standard leakage data.



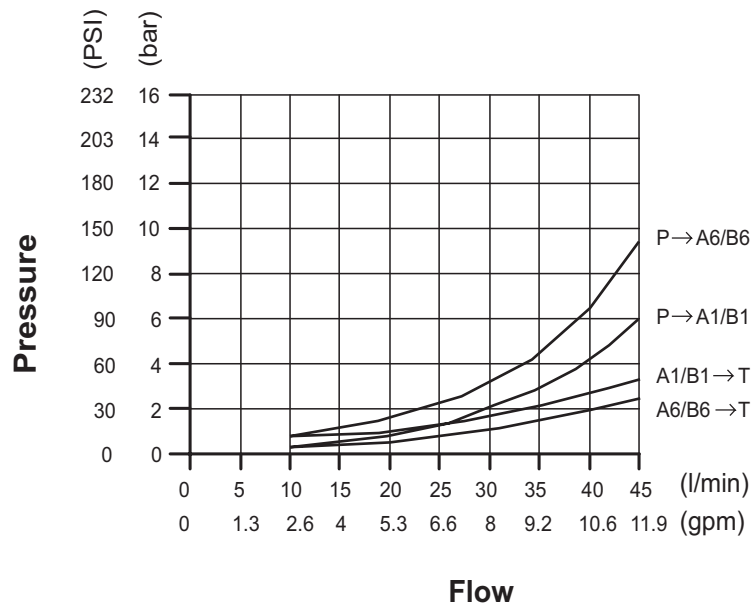
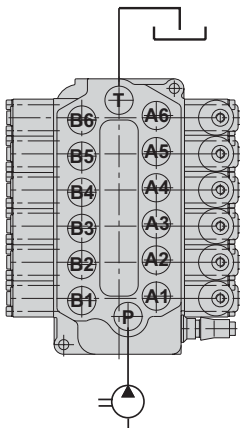
PERFORMANCE DATA

The characteristics in this catalogue are typical measured results.
During measuring a mineral based hydraulic oil with a viscosity of 16 cSt at a temperature of 50°C was used.

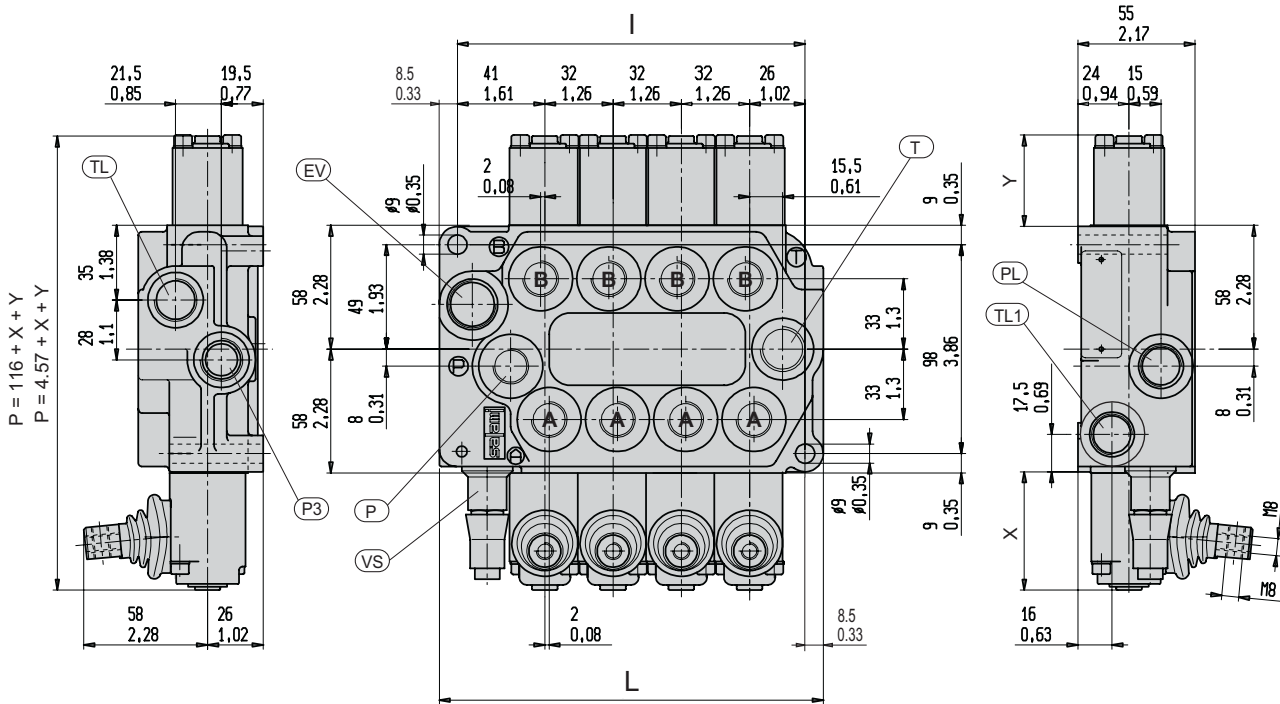
FOR FURTHER DETAILS PLEASE CONTACT OUR SALES DEPARTEMENT



Pressure drop "P" to "A1/B1" and to "A6/B6"
Pressure drop "A1/B1" and "A6/B6" to "T"



DIMENSIONS FROM 2 TO 6 SECTIONS MONOBLOCK



The drawing shown is just an example. The overall dimensions you read are valid for all the VDM6 except the parametric dimensions "L" and "I" depending of the number of working sections. The parametric dimension "P" depends on a fixed dimension of 116 mm (4.57 in.) to which you have to add the "X" and "Y" dimensions that you can find in the spool controls and spool positionings pages.

INDEX:

- P** = top inlet port
- PL** = side inlet port
- T** = top outlet port
- TL** = side outlet port
- TL1** = side outlet port
- A/B** = work ports
- P3** = power beyond port
- VS** = main relief valve
- EV** = seat for venting valve

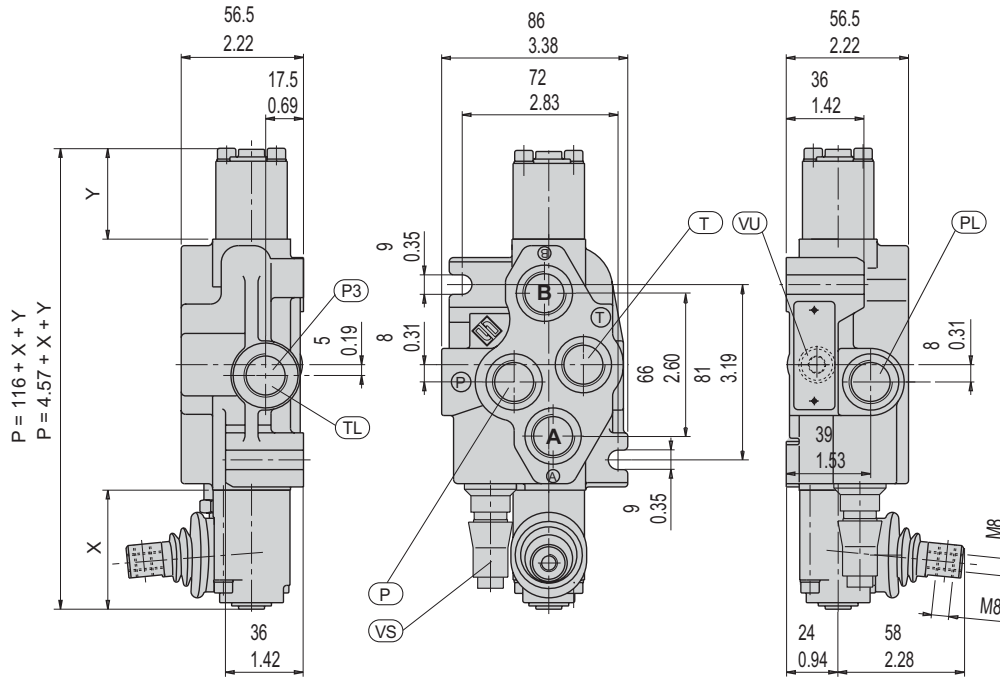
Spools		1	2	3	4	5	6	7	8
I	mm	/	99	131	163	195	227	/	/
	in	/	3.90	5.16	6.42	7.68	8.94	/	/
L	mm	/	116	148	180	212	244	/	/
	in	/	4.57	5.83	7.09	8.35	9.61	/	/
Weight	Kg.	/	4.5	5.7	7.5	9.3	9.9	/	/
	lb.	/	9.9	12.6	16.5	20.5	21.8	/	/

PORT SIZES	P - PL - TL1 - P3	T - TL	A - B
BSP ISO 228	G 3/8	G 1/2	G 3/8
SAE ISO 176	SAE#8 3/4 - 16 UNF	SAE#10 7/8 - 14 UNF	SAE#8 3/4 - 16 UNF
ISO 262 - ISO 6149	M 18 x 1.5	M 22 x 1.5	M 18 x 1.5
BSPF JIS B 2351	G 3/8	G 1/2	G 3/8

For smaller or bigger thread ports, please contact our sales department.



DIMENSIONS FOR 1 SECTION MONOBLOCK

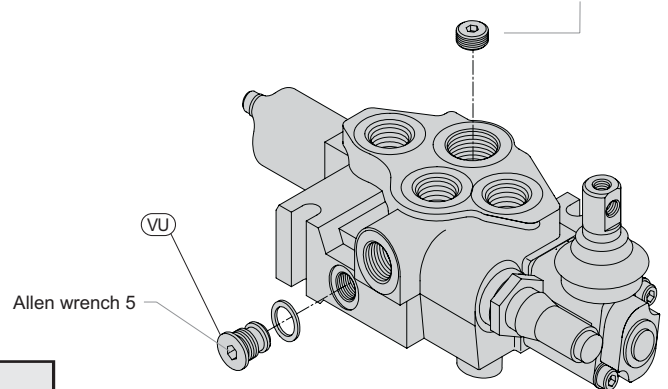


The parametric dimension "P" depends on a fixed dimension of 116 mm (4.57 in.) to which you have to add the "X" and "Y" dimensions that you can find in the spool controls and spool positionings pages. In this monoblock the main relief valve can be assembled only on "A" side.

INDEX:

- P** = top inlet port
- PL** = side inlet port
- P3** = side outlet port for power beyond
- T** = top outlet port
- TL** = side outlet port
- A/B** = work ports
- VS** = main relief valve(adjustable)
- VU** = load check valve

The one working section monoblock is always pre-arranged for power beyond just adding a dowel 1/4" - 18 NPTF



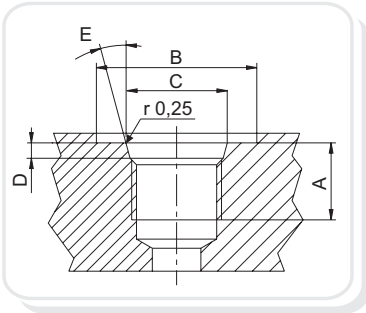
Weight = 2.8 Kg - 6.17 lb.

PORT SIZES	P - PL - TL1 - P3	T - TL	A - B
BSP ISO 228	G 3/8	G 1/2	G 3/8
SAE ISO 176	SAE#8 3/4 - 16 UNF	SAE#10 7/8 - 14 UNF	SAE#8 3/4 - 16 UNF
ISO 262 - ISO 6149	M 18 x 1.5	M 22 x 1.5	M 18 x 1.5
BSPF JIS B 2351	G 3/8	G 1/2	G 3/8

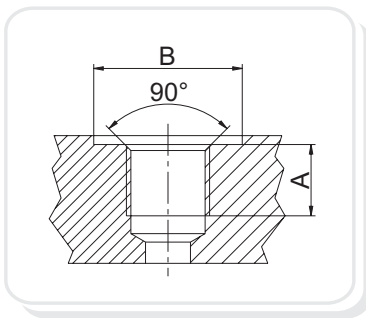
For smaller or bigger thread ports, please contact our sales department.

PORTS

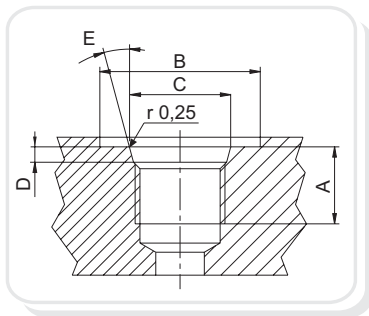
Following are standard ports. For different port types, please contact our sales department.



SAE UN-UNF (ISO 725)							
Dimensions		9/16 - 18 UNF SAE6		3/4 - 16 UNF SAE8		7/8 - 14 UNF SAE10	
mm	In.						
A		13	0,51	15	0,59	17	0,67
B		25	0,83	30	1,18	34	1,34
C		15,6	0,61	20,6	0,81	23,9	0,94
D		2,5	0,10	2,5	0,10	2,5	0,10
E		15°		15°		15°	

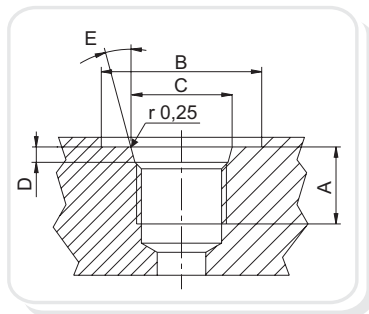


BSP (ISO 228)							
Dimensions		G1/4		G3/8		G1/2	
mm	In.						
A		14	0,55	14	0,55	16	0,63
B		19	1,75	23	1,91	27	1,06



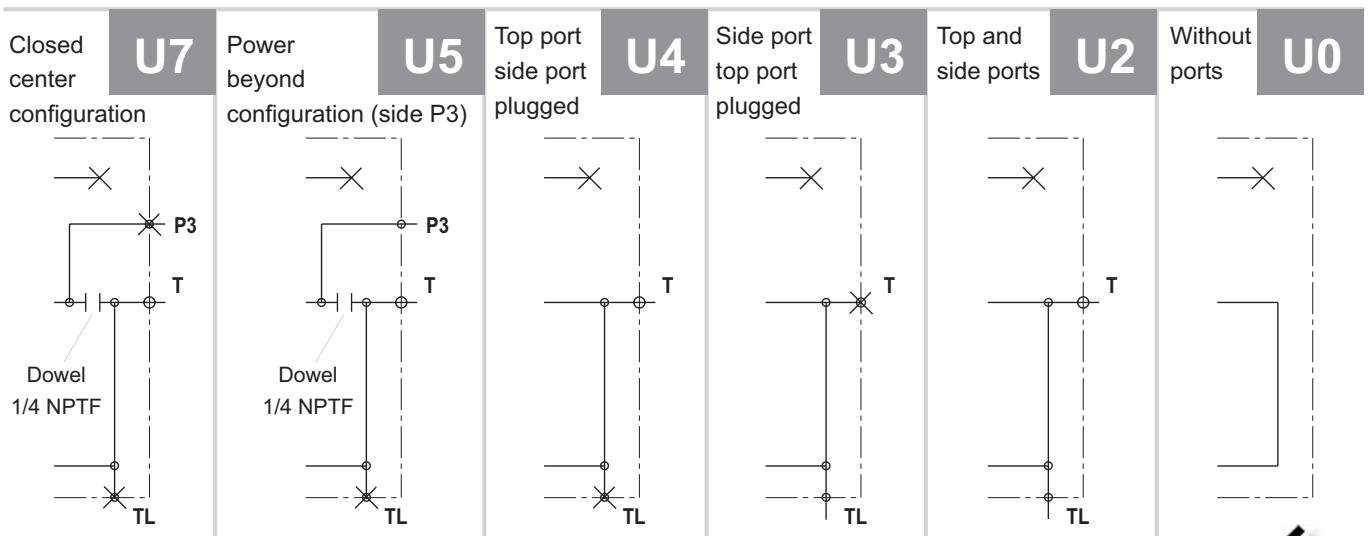
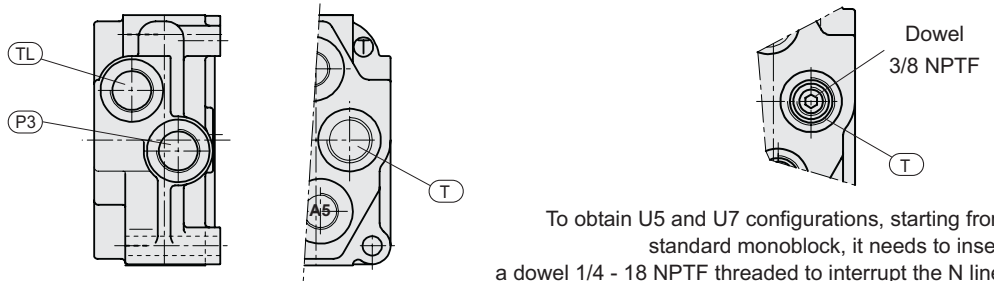
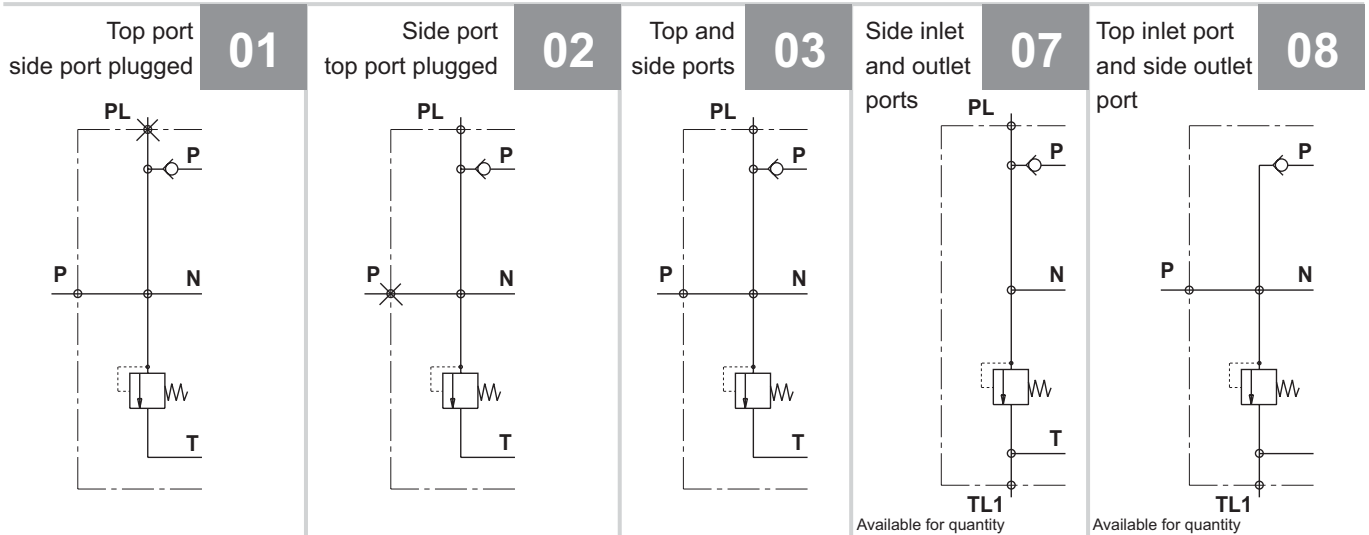
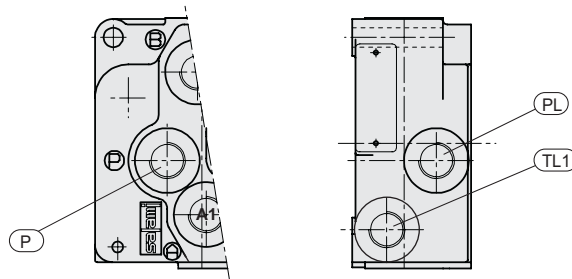
METRIC (ISO 262 - ISO 6149)*									
Dimensions		M18 x 1.5				M22 x 1.5			
mm	In.	ISO 262		ISO 6149		ISO 262		ISO 6149	
A		14	0,55	14,5	0,57	16	0,63	16	0,63
B		27,5	1,08	29	1,14	31,5	1,24	34	1,34
C				19,8	0,78			23,8	0,94
D				2,4	0,09			2,4	0,09

*Available for quantity, please contact our sales dept.



BSPF O-RING BOSS (JIS B 2351)							
Dimensions		G 1/4		G 3/8		G 1/2	
mm	In.						
A		12	0,47	12	0,47	16	0,63
B		24	0,94	28	1,10	34	1,34
C		15,6	0,61	18,6	0,73	22,6	0,89
D		2,5	0,10	2,5	0,10	2,5	0,10
E		15°		15°		15°	

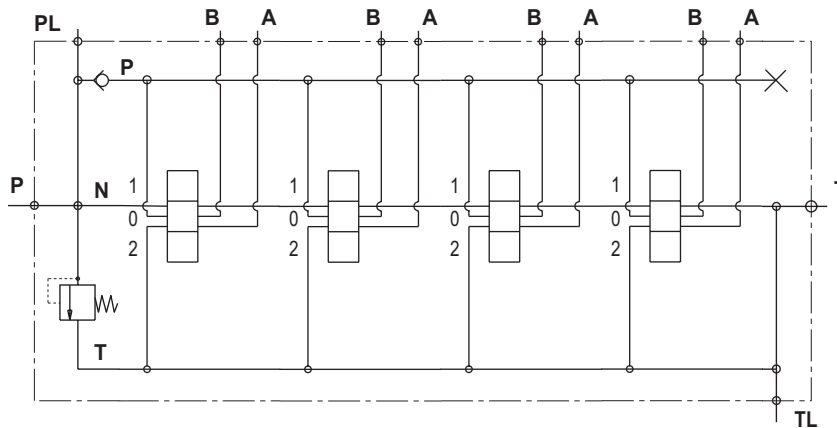
INLET AND OUTLET TYPES (HYDRAULIC CIRCUITS)



WORKING SECTIONS (HYDRAULIC CIRCUITS)

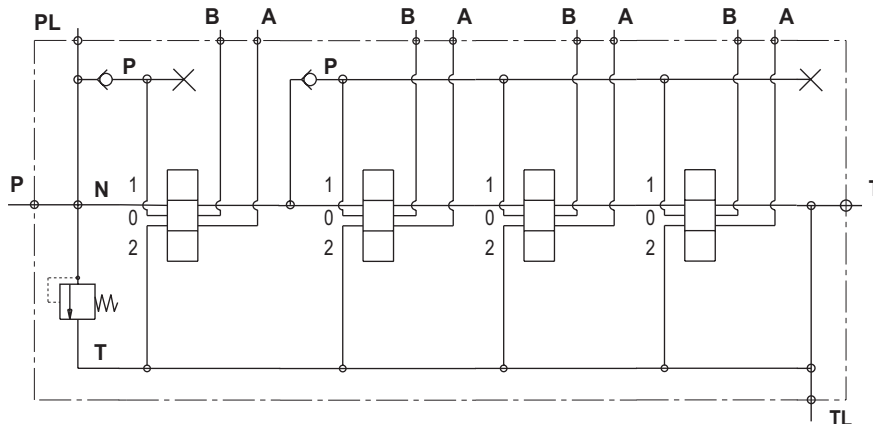
P

Parallel circuit, load check valve protection on down-stream of the pressure "P" line can be from 1 to 6 working sections



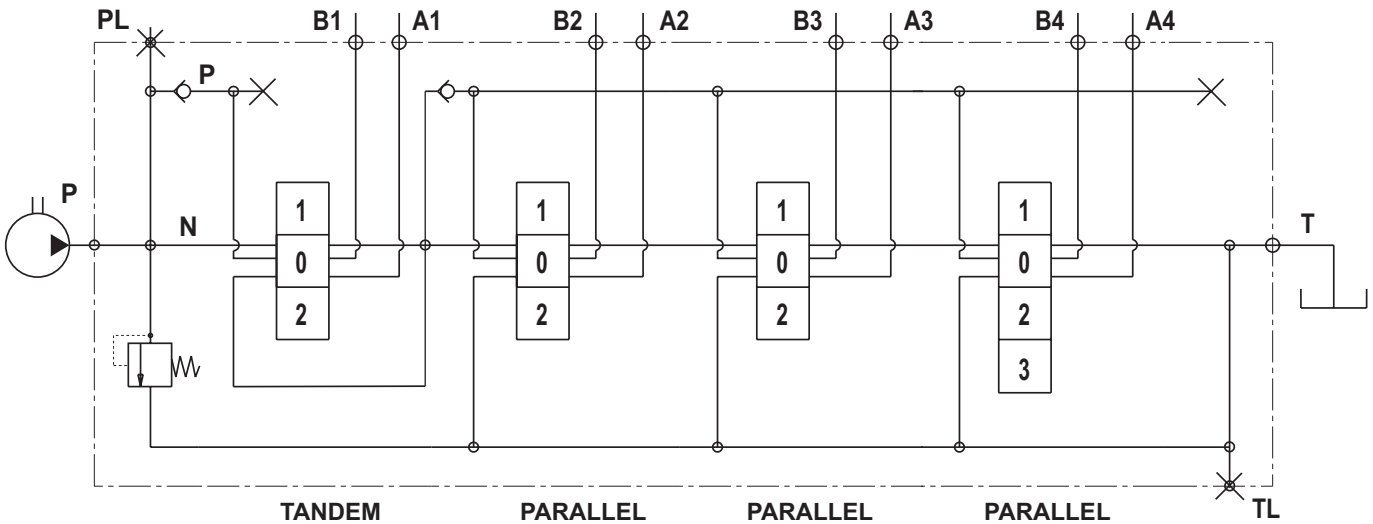
T

Tandem circuit only in the first working section, load check valve protection of the first section, load check valve protection on down-stream of the pressure "P" line (parallel circuit) can be from 2 to 6 working sections



This type of circuit is available only for quantity, please contact our sales department.

CIRCUIT AND SPOOL TYPES



The circuits available are:

parallel type, tandem type only in the first working section as shown in the picture above (see page 12). You can have main relief valve and venting valve in the inlet (see pages 16 and 17).

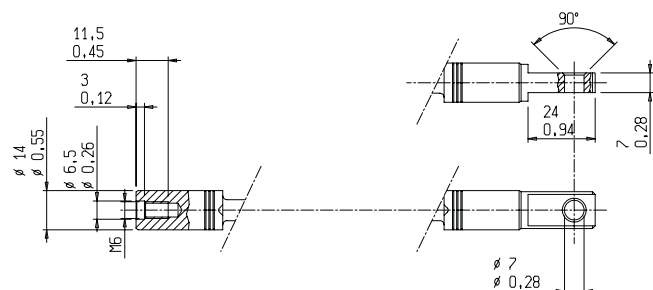
The spools can be 3 or 4 positions (as shown here below) moreover VDM6 is available for power beyond just insert a plug 1/4" - 18 NPTF (see page 11).

As you can read at page 37, the spools can be types "A" nominal flow or "C" 2/3 of nominal flow.

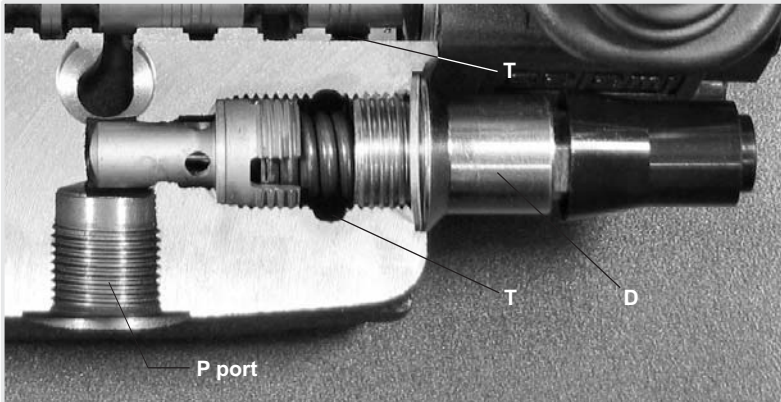
<p>01</p> <p>Double acting spool</p>	<p>Double acting motor spool</p> <p>02</p>
<p>03</p> <p>Double acting motor spool ("B" port blocked)</p>	<p>Double acting motor spool ("A" port blocked)</p> <p>04</p>
<p>05</p> <p>Single acting spool "A" working port</p>	<p>Single acting spool "B" working port</p> <p>06</p>

11		<p>Double acting spool with float function in 3rd position (spool in)</p>	<p>Double acting spool with float function in 3rd position (spool out)</p>		12
13		<p>Double acting spool with regenerative function in 3rd position (spool in)</p>	<p>With this type of spool a special machining of the body is required</p>		
17		<p>Double acting spool with regenerative function in position 2 (spool in)</p>	<p>With this type of spool a special machining of the body is required</p>	<p>Double acting spool with regenerative function in position 1 (spool out)</p>	<p>With this type of spool a special machining of the body is required</p>
18					
52		<p>Over center double acting spool "A" working port</p>	<p>The stroke of this type of spool is ± 4.5 mm</p>	<p>Over center double acting spool "B" working port</p>	<p>The stroke of this type of spool is ± 4.5 mm</p>
53					
54		<p>Over center double acting spool "A and B" working ports</p>	<p>The stroke of this type of spool is ± 4.5 mm</p>		

Salami standard spools have the ends as shown in this drawing. These ends spool are necessary to join it the controls and the positionings. With direct electric and hydraulic controls the ends spool are different as you can see at pages 25 and 26.



MAIN RELIEF VALVES

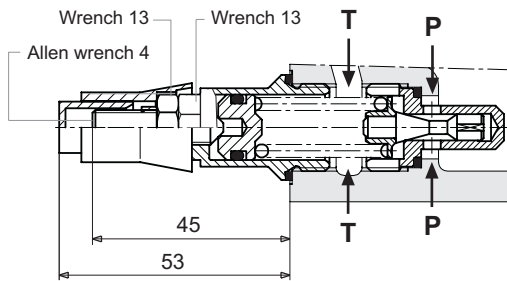
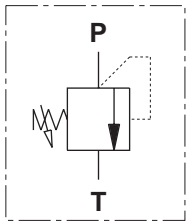


Max tightening torque:
 wrench 10 - 18 Nm
 wrench 13 - 24 Nm
 wrench 22 - 35 Nm
 wrench 24 - 30 Nm
 wrench 26 - 30 Nm
 wrench 27 - 30 Nm
 Allen wrench 6 - 30 Nm
 Allen wrench 8 - 30 Nm

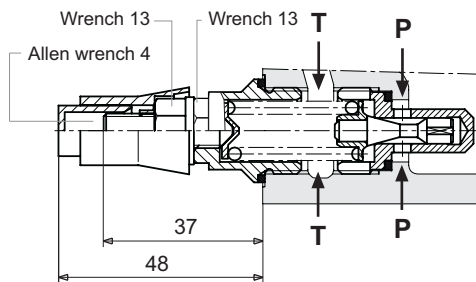
The main relief valve can be mounted only on "A", in case of venting valve there is an appropriate cavity on the top of VDM6. All the testing values of this page have been obtained with nominal flow of 35 L/min - 9.25 gpm, viscosity 16cST and oil temperature 50°C - 122°F.

D

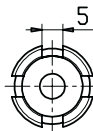
MAIN RELIEF VALVE DIRECT OPERATED
 (setting range from 51 to 350 bar - 740 to 5100 psi)
 available in two type, see drawing here below



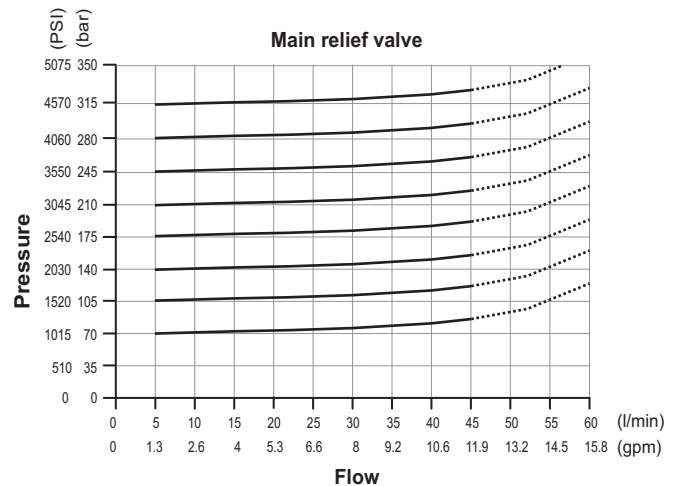
TYPE 1



TYPE 2

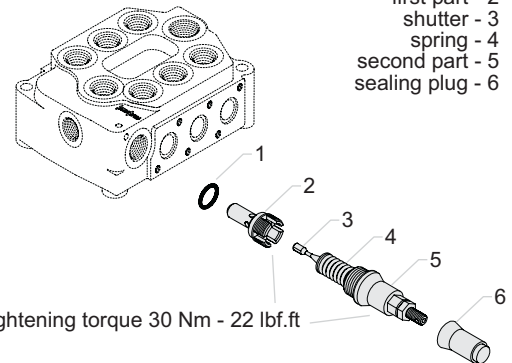


First part of the valve



This valve is built as shown in the drawing here below:

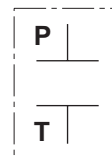
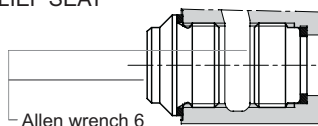
- washer - 1
- first part - 2
- shutter - 3
- spring - 4
- second part - 5
- sealing plug - 6



The only difference between the two types is the type 1 is adjustable without oil leaking.

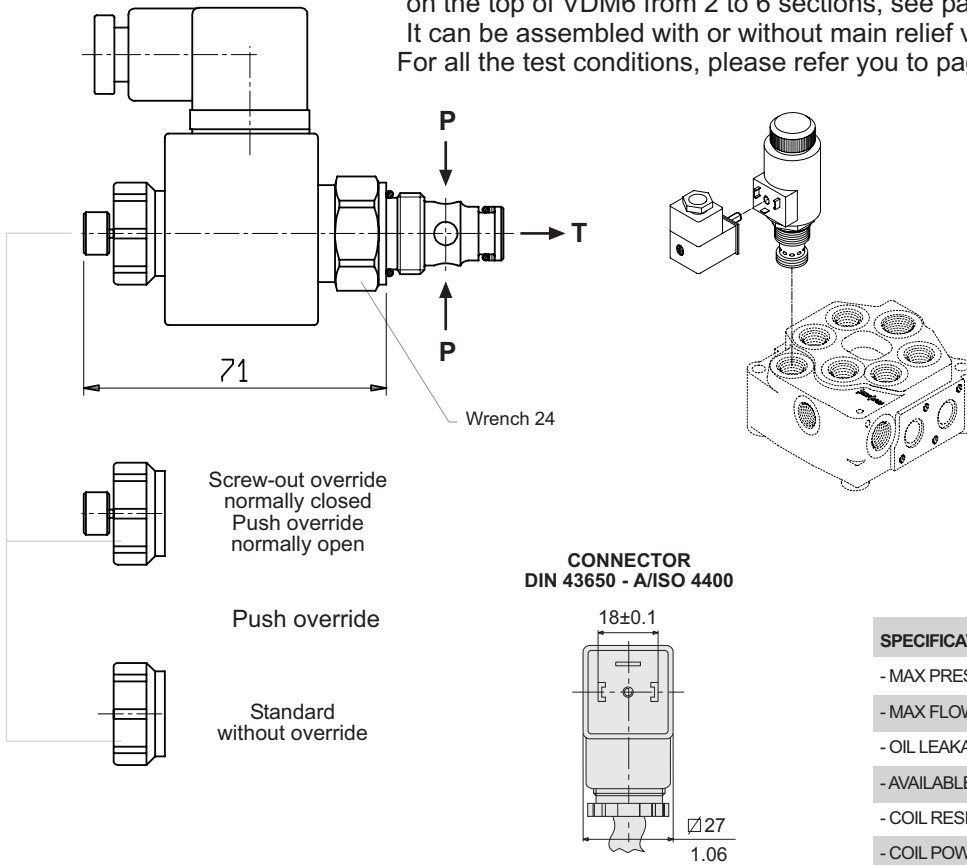
W

PLUG FOR MAIN RELIEF SEAT WITHOUT VALVE



VENTING VALVES

This valve is located in an appropriate cavity on the top of VDM6 from 2 to 6 sections, see page 8. It can be assembled with or without main relief valve. For all the test conditions, please refer you to page 16.



EV1

12 Vdc - Normally opened
Push override, on request

EV2

24 Vdc - Normally opened
Push override, on request

EV3

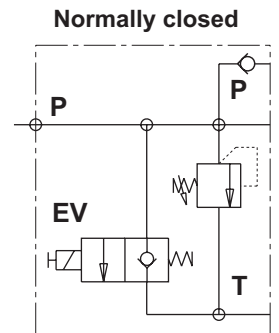
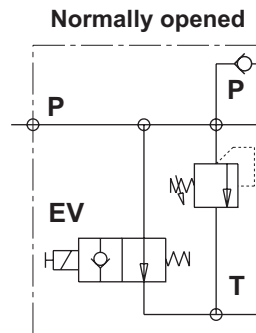
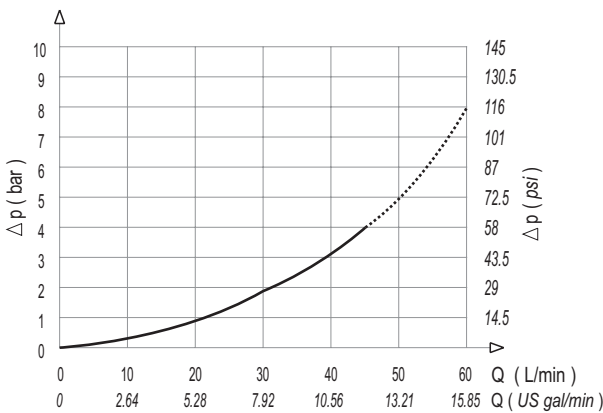
12 Vdc - Normally closed
Screw-out override, on request

EV4

24 Vdc - Normally closed
Screw-out override, on request

SPECIFICATIONS

- MAX PRESSURE IN "P"	350 bar
- MAX FLOW	40 l/min
- OIL LEAKAGE-max pressure-46 cST	0.30 cm ³ /min
- AVAILABLE VOLTAGE	12 - 24 Vcc
- COIL RESISTANCE	12Vdc:8.7Ω - 24Vdc:33Ω
- COIL POWER	17 W
- PROTECTION INDEX WITH STANDARD CONNECTOR	IP 65

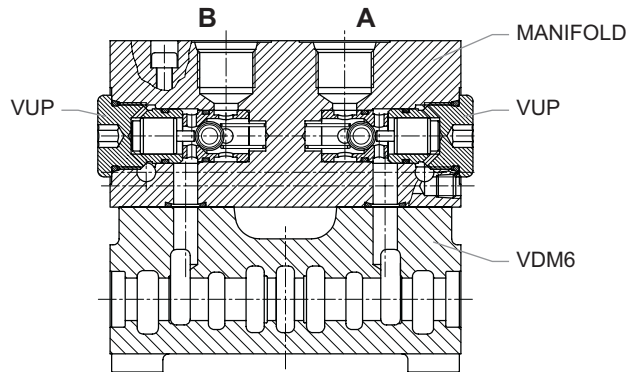
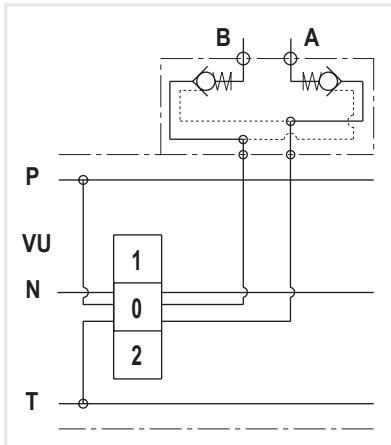


HYDRAULIC PILOTED LOAD CHECK VALVE

VUP

AVAILABLE ONLY FOR QUANTITY, PLEASE CONTACT OUR SALES DEPARTMENT

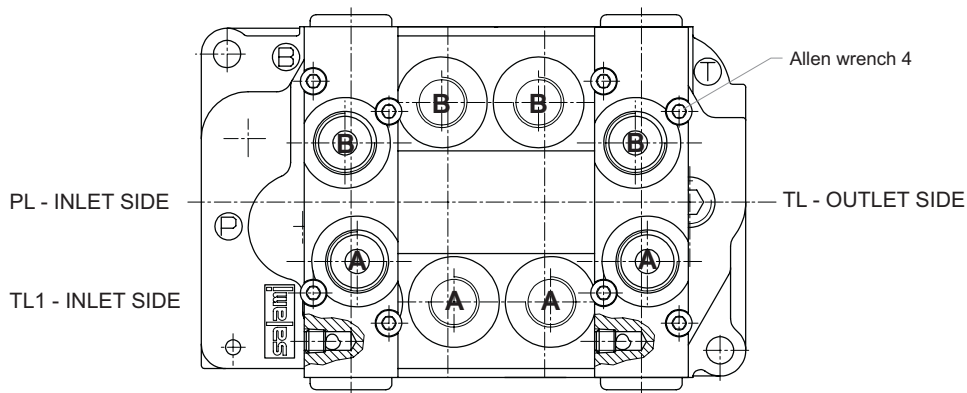
Built-in a manifold assembled on the top.
Zero leakage, lock the load in position when the spool is in neutral (0 position).
As you can see in the circuit here below, the opening of VUP is caused by the pressure of the ports.



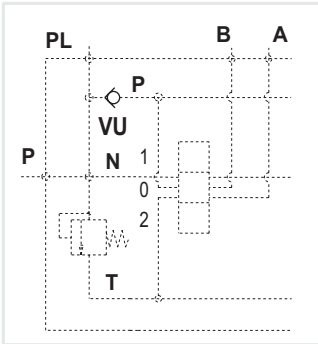
SECTIONAL VIEW

Assembling recommendations

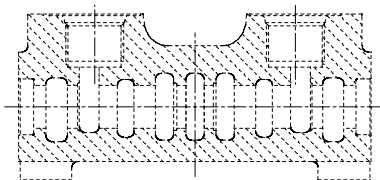
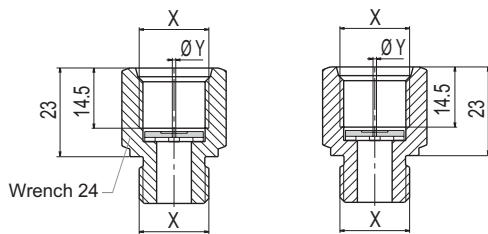
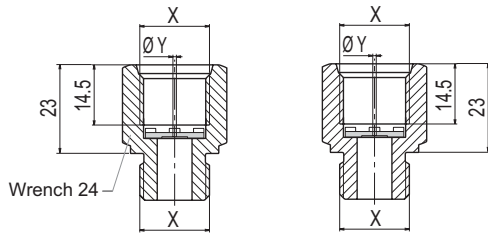
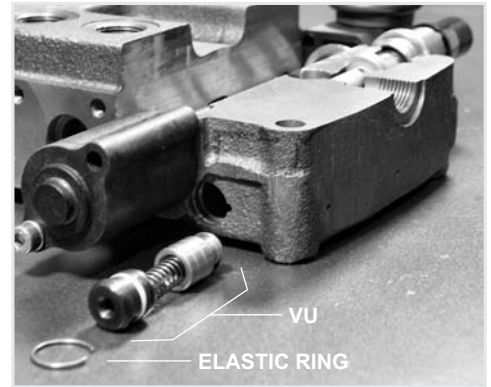
The monoblock you need to install the manifold is a special machined monoblock.
The manifold with double VUP valve can be assembled on all the working sections, but not consecutive working sections.
Remember that in case you need to install it in the first working section you must have also the inlet port PL.
At the same way if you need to install it in the last section you must have also the outlet ports TL and TL1.



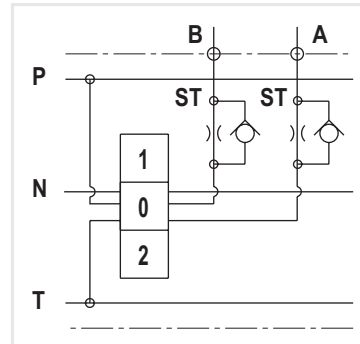
OTHER VALVES



This is the load check valve VU which is built in the monoblock at the down-stream of the pressure line P and you need not to specify in phase of ordering because it is part of it. In the tandem circuit working section (available only in the first section) you have another load check valve as you can see in the hydraulic circuit of page 12.

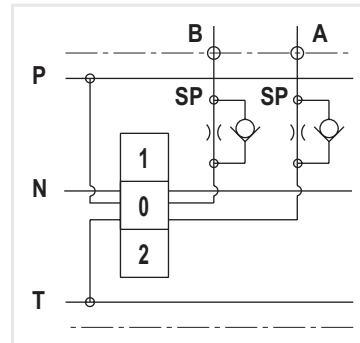


For tightening torque, please refer you to page 5.



SP

Flow restrictor P → A/B



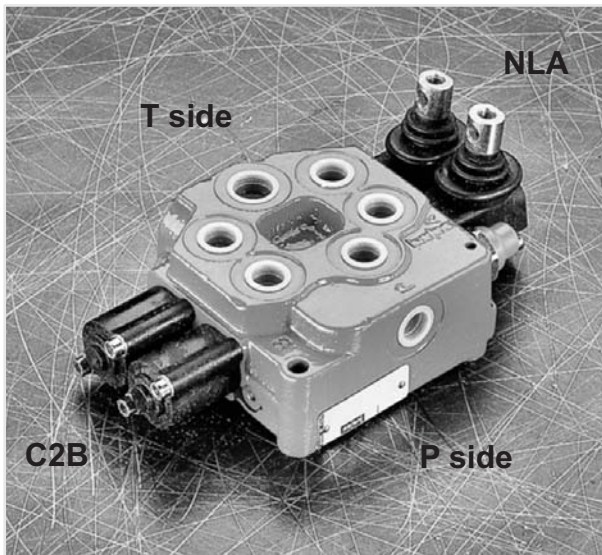
ST

Flow restrictor A/B → T

X available threads			φ Y available measures		
*M18 x 1.5	SAE 8	G 3/8	φ 1.10	φ 1.25	φ 1.50

*Available for quantity, please contact our sales dept.

SPOOL CONTROLS AND SPOOL POSITIONINGS



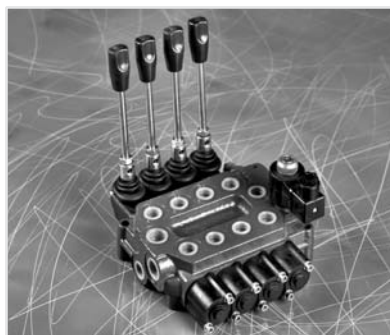
This picture shows the VDM6 assembled, in this case you have a manual control "NL" on A side and a spring return in neutral position "C2" on B side. Considering that VDM6 is a simmetrical valve, all spool controls and positionings can be placed on both sides A or B. In case of hydraulic kick-out "G2 - G4 - G5" and with spools types 13 - 17 - 18, you can also decide from A or B side but after that this is the final position because with this type of control and spools the monoblock have a special machining.

In this and following pages you can find all spool controls and spool positionings, they are all assembled with socket hexagon head screw: **M5 x 0.8 with tightening torque of 4.5 ± 0.5 Nm.**

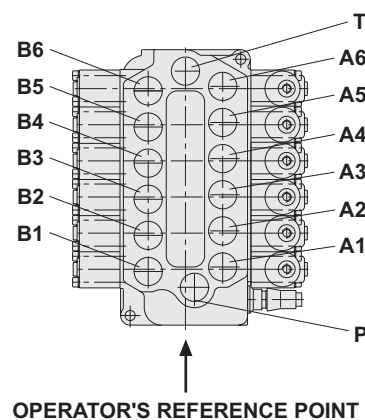
The drw. here below show the reference to fix A and B side from the point of view of the operator.



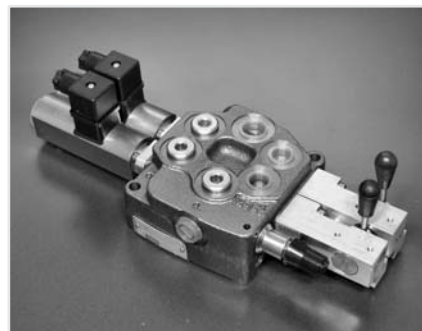
VDM6 - 6 working sections
with cross levers for 2 spools
L1/L2 and **NL** controls



VDM6 - 4 working sections with
venting valve **EV...**, **NL** controls
and **C2** positionings



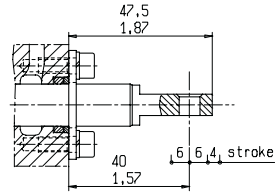
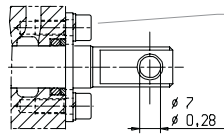
VDM6 - 1 working section
with **NL** control and **CM**
positioning spool



VDM6 - 2 working sections
with solenoid push-pull control **E7/E8**
and safety lever **ES**

SPOOL CONTROLS

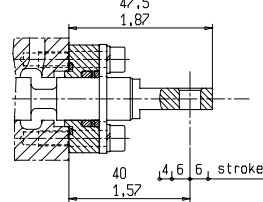
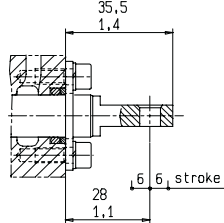
For spool with float position
commercial code 12



SL

Without lever box

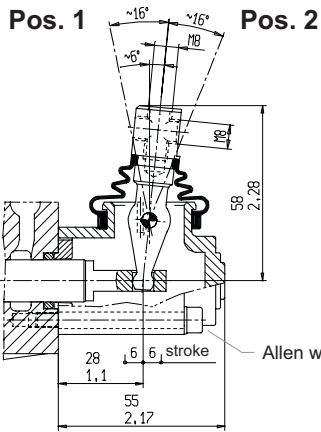
For spool with float position
commercial code 11



- 1
- 0
- 2

On request available with dust proof plate

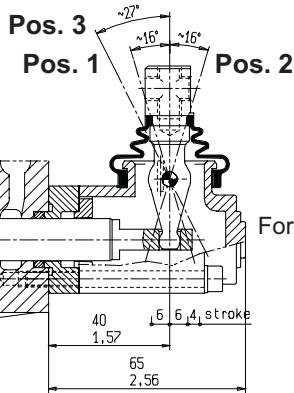
This lever can be assembled turned of 180°



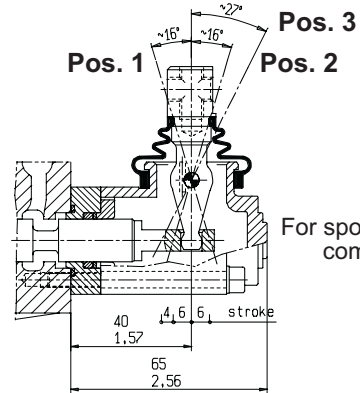
NL

Standard
protected lever

- 1
- 0
- 2



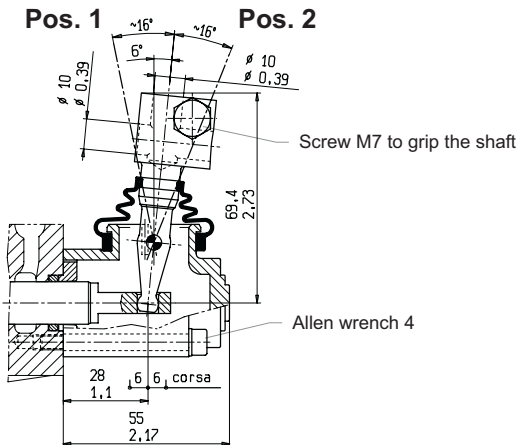
For spool with float position
commercial code 12



For spool with float position
commercial code 11

On request available for spools with float
position: commercial codes 11 and 12 as
shown in the drawing above

This lever can be assembled turned of 180°



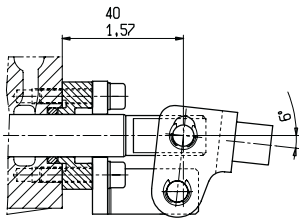
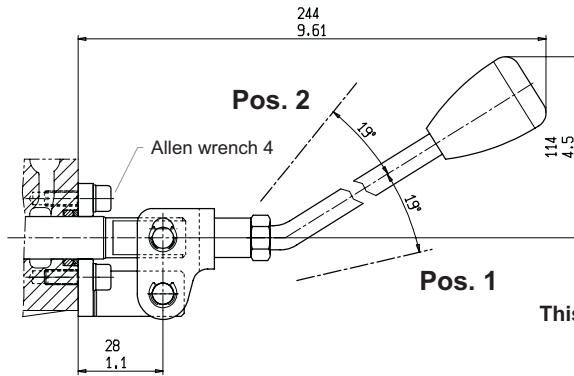
MP

Protected clamp lever

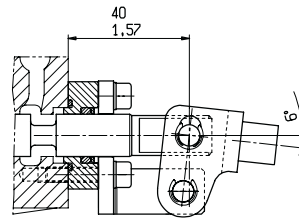
- 1
- 0
- 2

PF

Not protected lever



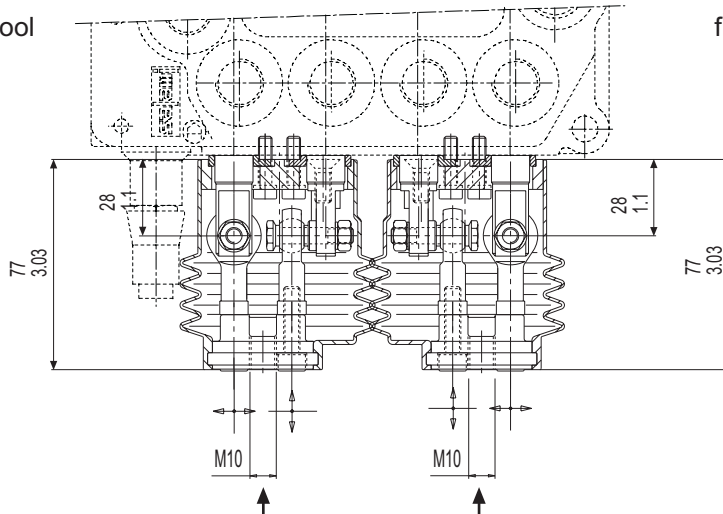
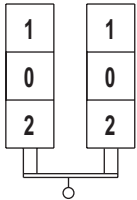
For spool with float position
commercial code 12



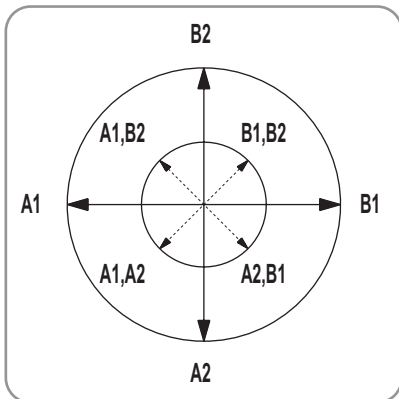
For spool with float position
commercial code 11

L2

Cross lever for 2 spools
fulcrum on down-stream spool

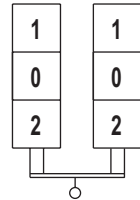


Standard movements
from the operator's reference point

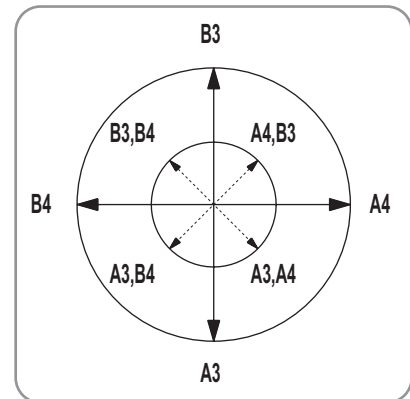


L1

Cross lever for 2 spools
fulcrum on up-stream spool

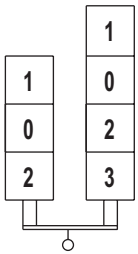


Standard movements
from the operator's reference point

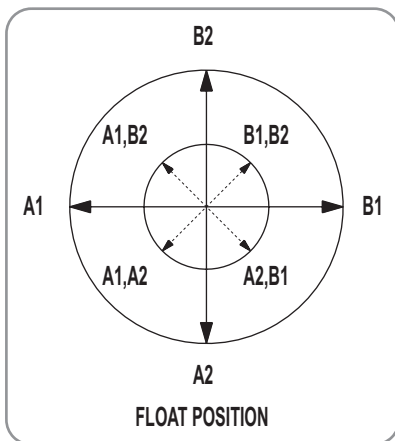


L4

Cross lever for 2 spools
fulcrum and spool with
(float-in) position
on down-stream
working module

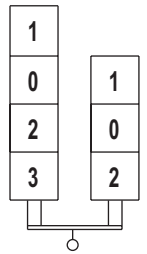


Standard movements
from the operator's reference point

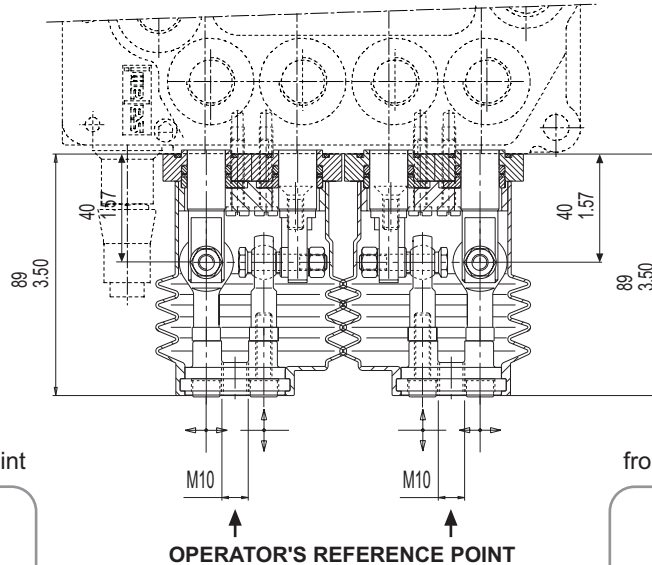
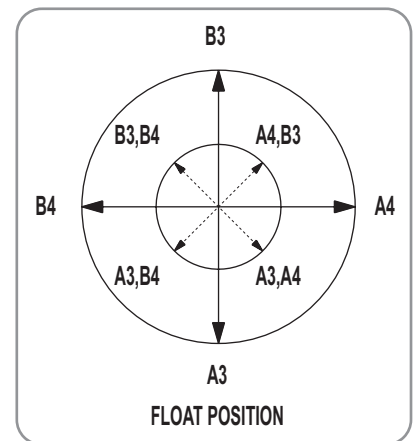


L3

Cross lever for 2 spools
fulcrum and spool with
(float-in) position
on up-stream
working module



Standard movements
from the operator's reference point



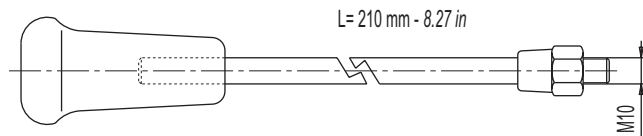
IMPORTANT

the double acting spool assembled with double acting
+ (float in) position is longer than a standard spool.
In case you need joystick with double acting spool
+ (float out) position, please get in touch with our
technical department.

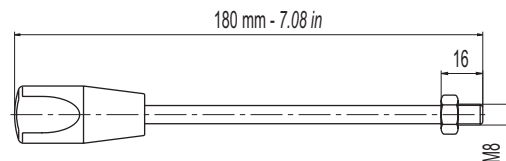
STANDARD SHAFTS

For different diameter and/or length, please get in touch with our sales dept.

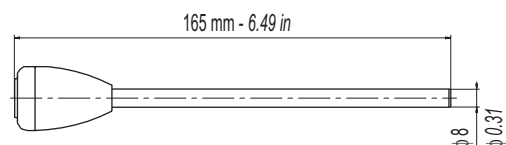
Shaft with ergonomic knob
for cross lever L1/L2
R202 8996 0



Shaft with threaded end
R202 9018 0



Shaft for clamp lever
R202 8839 0

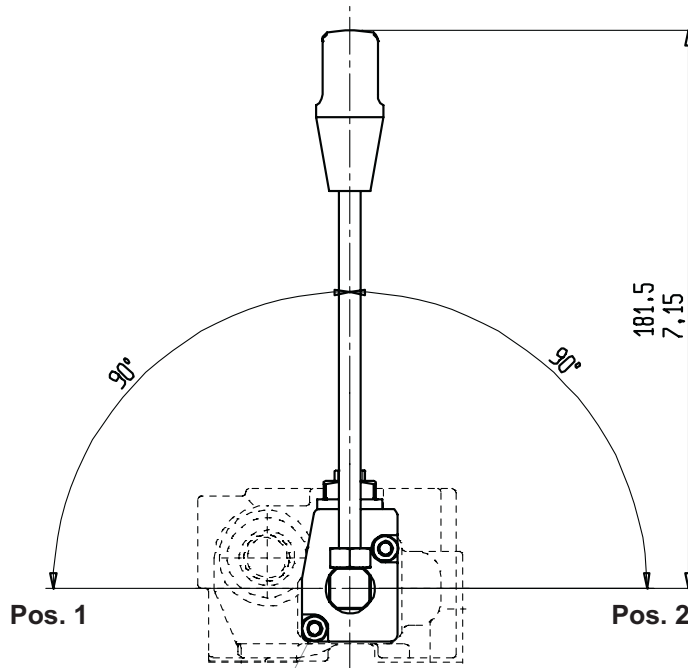
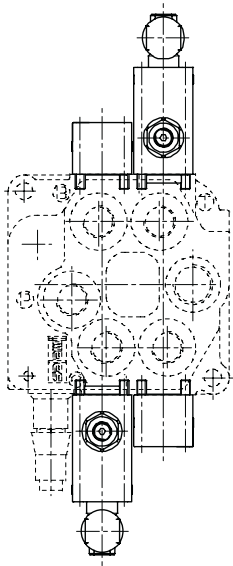
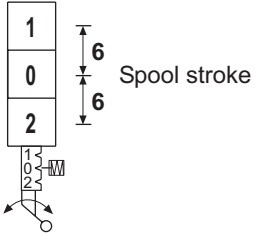


CR

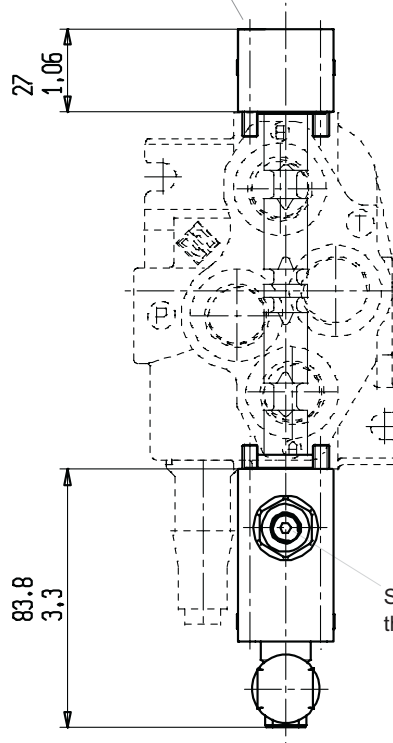
Rotary control, available for 1 working section or two working section but one at the opposite side of the other.
This device is realized for marine applications, so all the material components are corrosion proofing.

This control uses special type spools, available types are: 01 - 02. Mountable on both side (A or B).

Device with cam
and adjustable friction
detent + rotary lever



Allen wrench 4



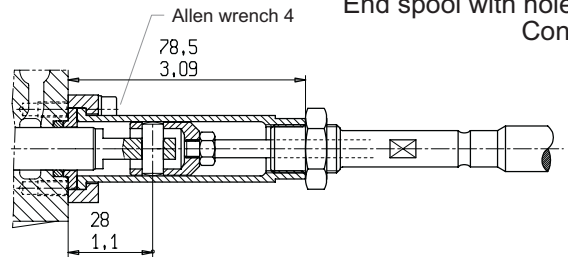
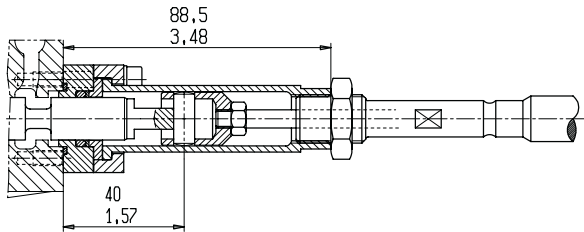
DIRECTIONAL CONTROL VALVE MONOBLOCK TYPE

VDM6

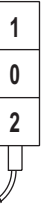
Devices for cable remote control .
For more details about cables, please consult our catalogue
cable remote controls.

TC

For spool with (float-in) and (float-out) positions
commercial codes **11 - 12**



End spool with hole ϕ 7 mm.
Controls side



E7

Working conditions for this control:

Flows up to 40 l/min - 10.6 US gpm
Pressure up to 260 bar - 3770 psi

ES

Electric push-pull control 3 positions
12 Vdc

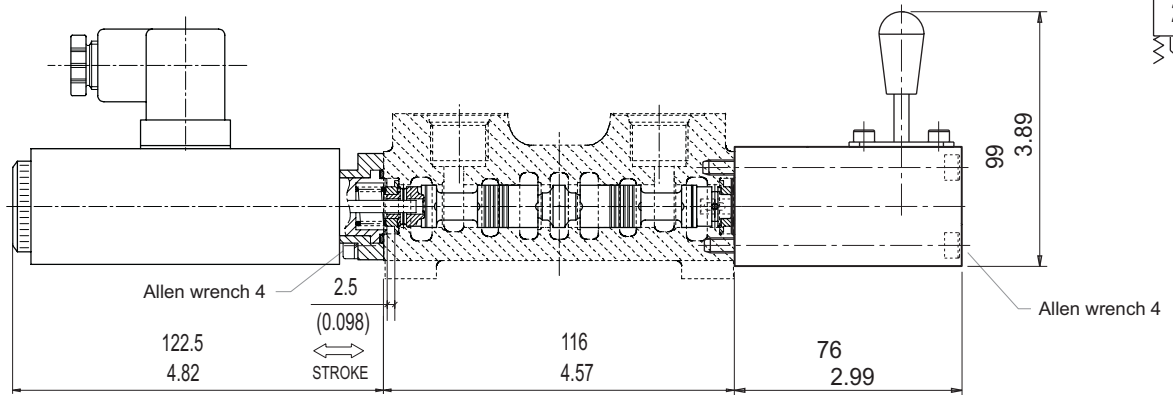
The stroke for this control is of 2.5 mm - 0.098 inch.,
for this reason the spools are different of standard.

Emergency lever for electric
push-pull control

E8

Electric push-pull control 3 positions
24 Vdc

The available spools are from 01 to 06.

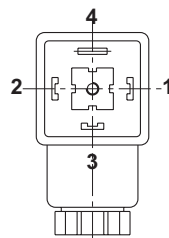


ELECTRICAL DATA

PUSH - PULL SOLENOID

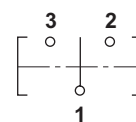
- VOLTAGE: 12Vdc OR 24Vdc
- COIL POWER: 31 Watt at 20°C
- PROTECTION INDEX WITH CONNECTOR: IP 65
- HEAVY DUTY 100%

Important:
this lever is realized
as emergency lever and it is
not allowed a continuous use.



**CONNECTOR
DIN 43650 - A/ISO 4400**

ELECTRIC CONNECTIONS SCHEME



- 1) NEGATIVE POLE
- 2) SPOOL IN
- 3) SPOOL OUT
- 4) GROUND WIRE

To avoid an excessive wearing of the
contacts, depending on the sparking
of these parts, we suggest a suitable
protection(for example diodes)

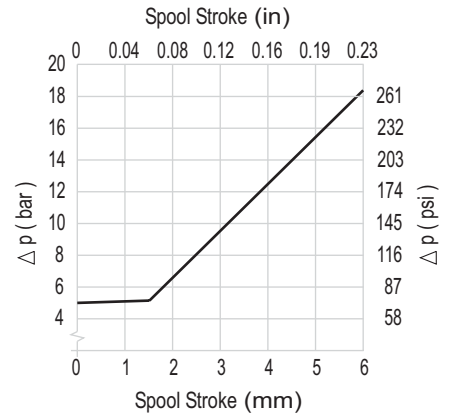
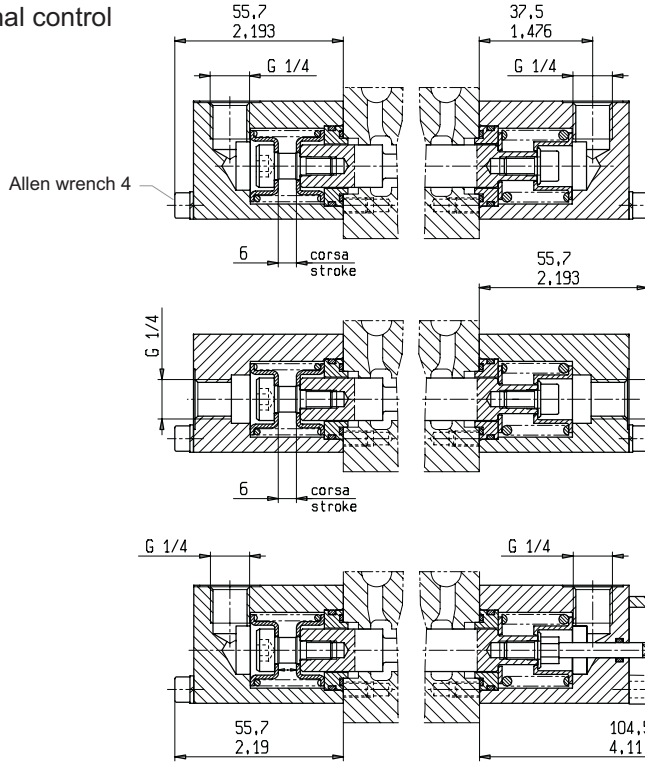
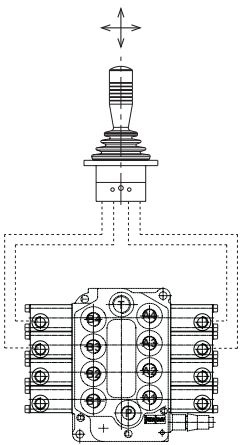
IP

Important:
when you order please specify top or side ports

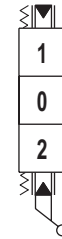
Hydraulic proportional control



Salami hydraulic
2 axis joystick



Hydraulic proportional control with emergency lever.
Available for q.ty please get in touch with our sales dept.

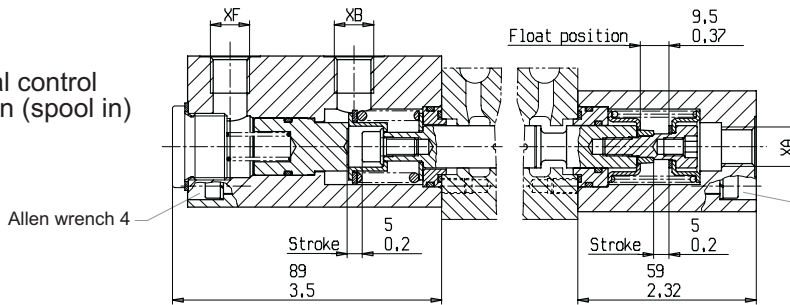


For more information please consult our catalogue SHRC hydraulic remote controls.

IF

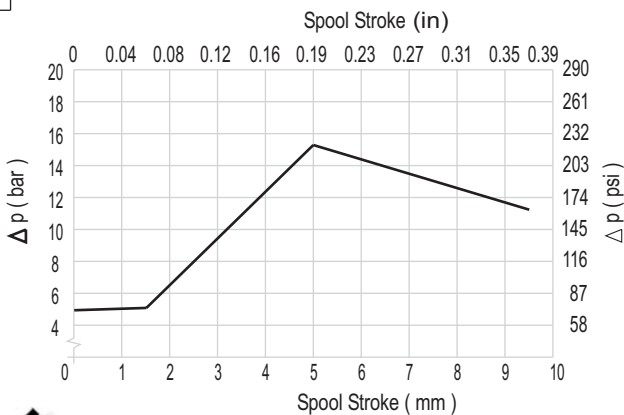
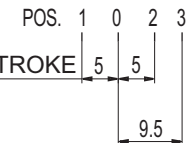
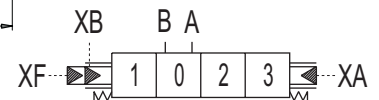
XA, XB, XF PORTS : G 1/4

Hydraulic proportional control with third float position (spool in)



Allen wrench 4

OPERATING SCHEME



- XA, XB, XF → T ⇨ POS. 0
- Pressure → XB ⇨ POS. 1
- Pressure → XA, XF ⇨ POS. 2
- Pressure → XA ⇨ POS. 3

DIRECTIONAL CONTROL VALVE MONOBLOCK TYPE

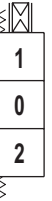
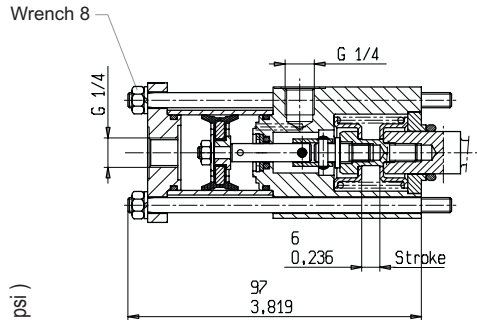
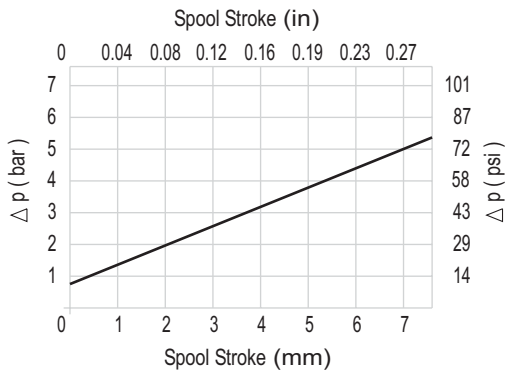
VDM6

Thought for all truck hydraulic applications

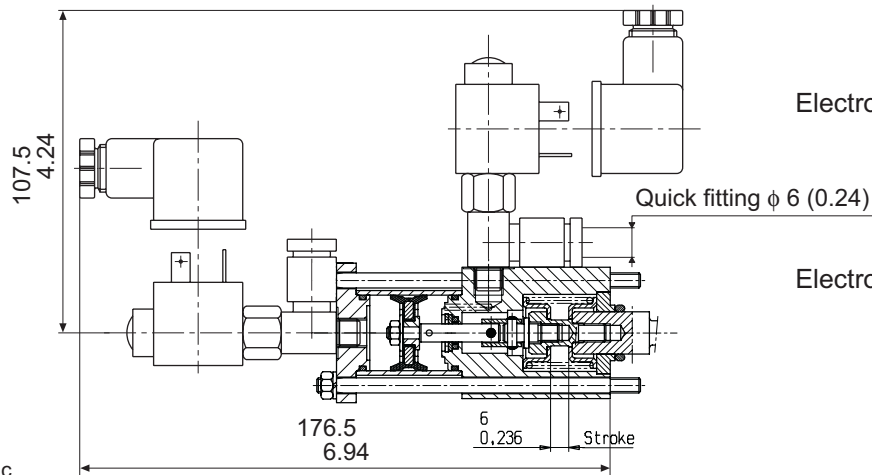
PP/P0

Pneumatic proportional/on-off control

Available also with ports threaded 1/8 NPT



Pneumatic proportional/on-off control
This control is at the same time proportional and on-off type, it depends if you use a pneumatic remote control proportional type (with the characteristic curve of diagram), or on-off type.



P1

Electro-pneumatic on-off control - 12 Vdc

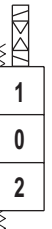
P2

Electro-pneumatic on-off control - 24 Vdc

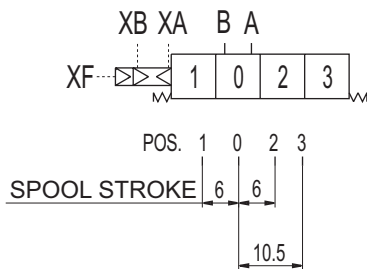
ELECTRICAL DATA

- VOLTAGE: 12Vdc OR 24Vdc
- COIL POWER: 6 Watt at 20°C
- PROTECTION INDEX WITH CONNECTOR: IP 65

Starting from PP/P0 adding the electro-valves you get P1 or P2



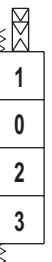
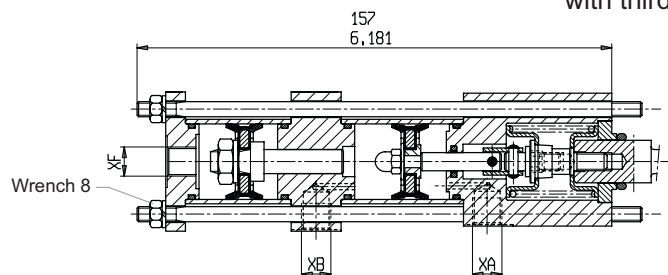
OPERATING SCHEME



XA, XB, XF PORTS : G 1/4

PQ

Pneumatic on-off control with third float position (spool in)



For electro-pneumatic control with third float position, please get in touch with our sales dept.

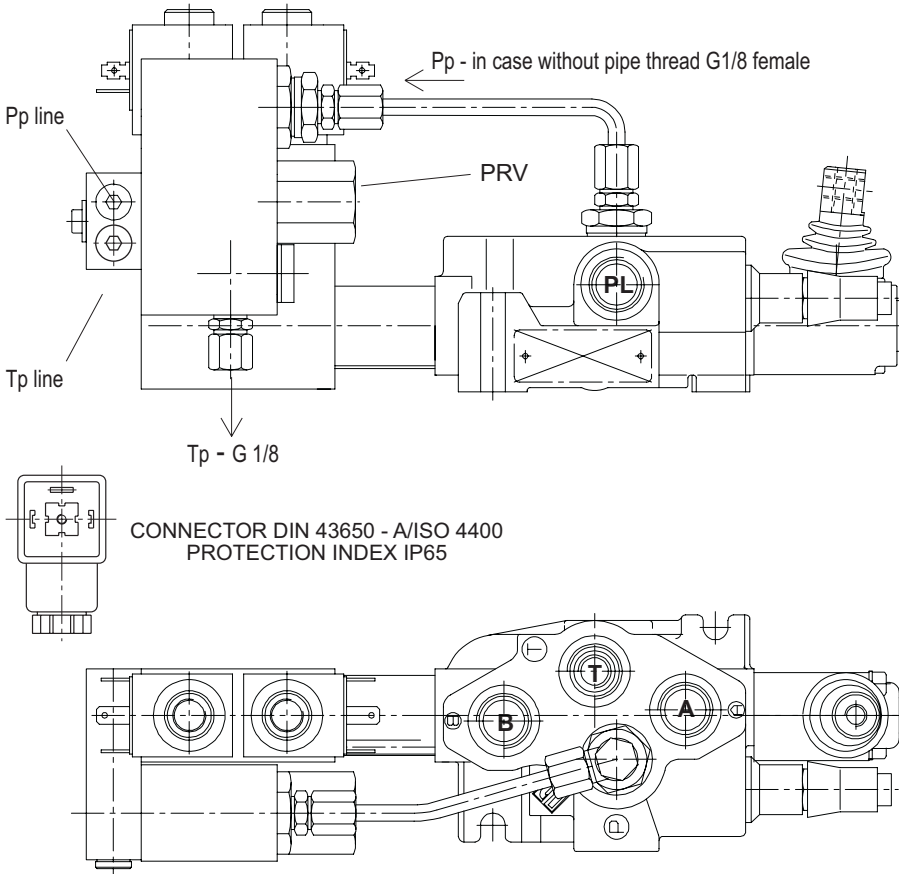
ELECTRO-HYDRAULIC CONTROL IS AVAILABLE ONLY FOR ONE WORKING SECTION MONOBLOC

Preliminary specifications about electro-hydraulic controls

Before to introduce electro-hydraulic single modules it is necessary to specify the adding hydraulic components necessary for the right functioning of it. As you can see in the drawing and hydraulic scheme it needs a pressure reducing valve "PRV" at the inlet of piloting circuit that reduce the pressure of "P" line at the max value of 25 bar (363 psi), some accessories as fittings, pipe and filter. We suggest you to forecast a back pressure valve manifold on the "T" line setting to assure a minimum pressure of 8 bar (116 psi). This value of back pressure is necessary to the right functioning of electro-hydraulic control. The pressure reduction at the piloting circuit inlet

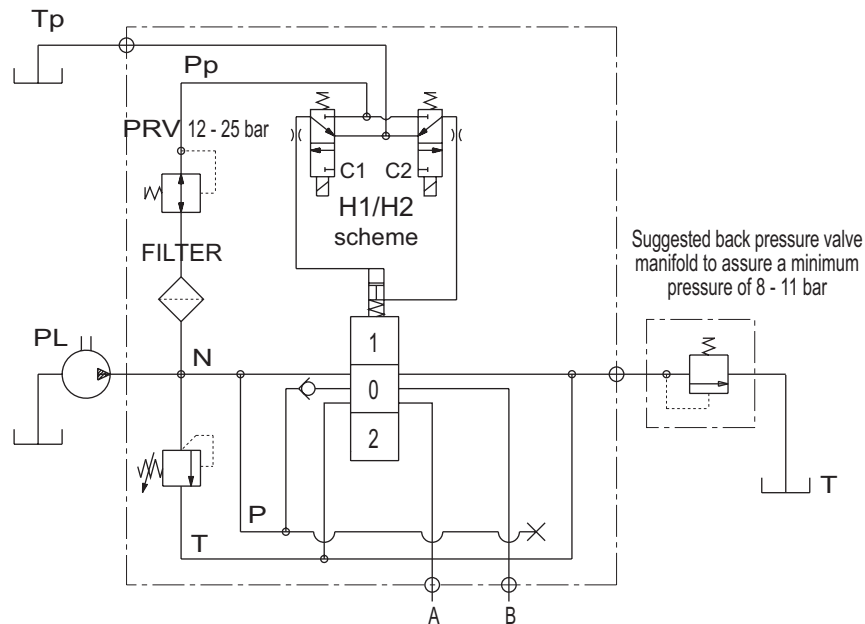
can be obtained also with external standard valves made by valve manufacturer, for this reason Salami electro-hydraulic controls can be supplied without "PRV". In this case is necessary to specify it in phase of order.

Our standard supply has the "Tp" port opened, we recommend to connect it directly to tank because a counter-pressure could be cause of malfunction.



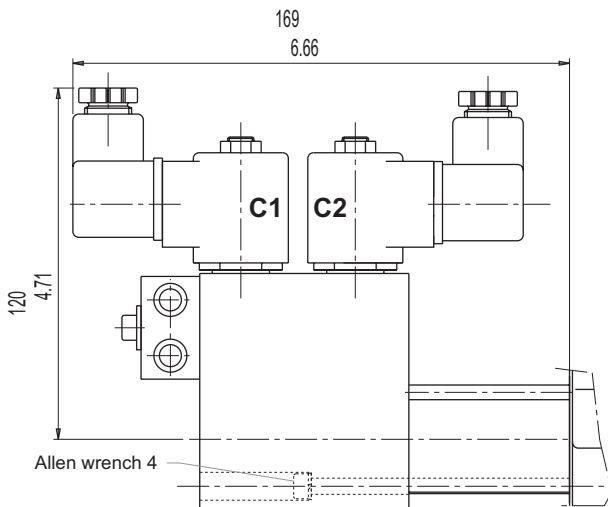
INDEX

- PRV - pressure reducing valve
- Pp - pressure piloting line
- Tp - tank piloting line
- PL - P port
- T - T port



DIRECTIONAL CONTROL VALVE MONOBLOCK TYPE

VDM6



OPERATING INSTRUCTIONS
please see the hydraulic circuit
of page before

- C1 - C2** coils de-energized \Rightarrow POS. 0
- C1** coil energized \Rightarrow POS. 1
- C2** coil energized \Rightarrow POS. 2

TECHNICAL DATA

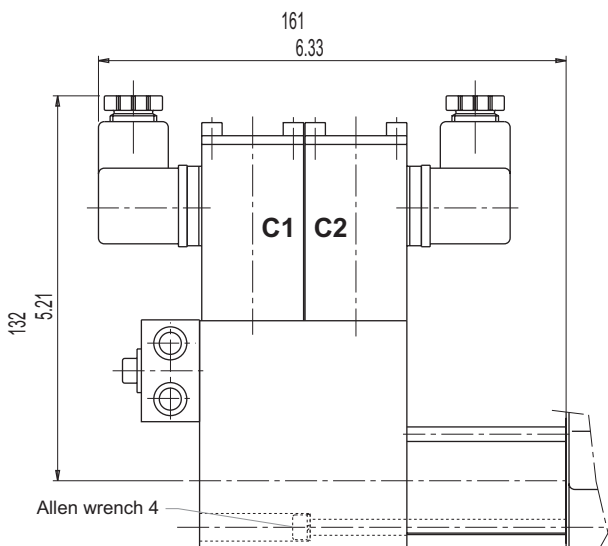
- MAX PRESSURE IN "P" 30 bar
- MAX FLOW 2 l/min
- AVAILABLE VOLTAGE 12 - 24 Vcc
- COIL RESISTANCE 12Vdc:7.2 Ω - 24Vdc:41.5 Ω
- POWER 14 W (20°C)

H1

ON-OFF
electro-hydraulic control
12 Vdc

H2

ON-OFF
electro-hydraulic control
24 Vdc



OPERATING INSTRUCTIONS
please see the hydraulic circuit
of page before

- C1 - C2** coils de-energized \Rightarrow POS. 0
- C1** coil energized \Rightarrow POS. 2
- C2** coil energized \Rightarrow POS. 1

TECHNICAL DATA

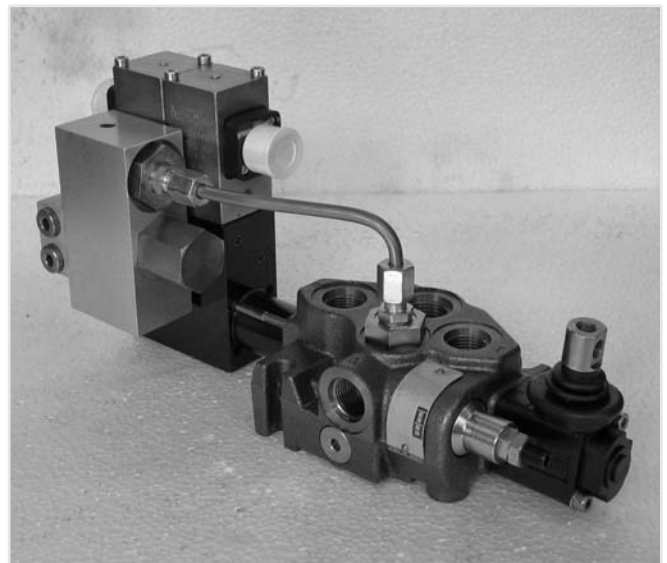
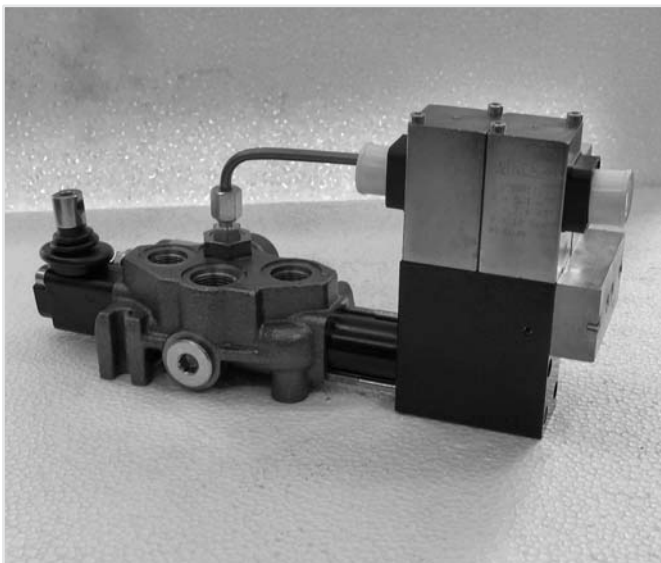
- MAX PRESSURE IN "P" 30 bar
- MAX FLOW 2 l/min
- AVAILABLE VOLTAGE 12 - 24 Vcc
- COIL RESISTANCE 12Vcc:5.1 Ω - 24Vcc:20.5 Ω
- REGULATION MAX CURRENT 12 Vdc : 1400 mA
- REGULATION MAX CURRENT 24Vdc : 800 mA
- PWM 120 Hz
- HISTERESIS 5%

KM12

Proportional
electro-hydraulic control
12 Vdc

KM24

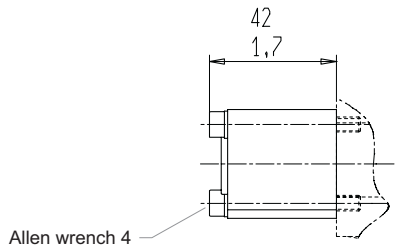
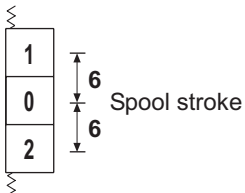
Proportional
electro-hydraulic control
24 Vdc



SPOOL POSITIONINGS

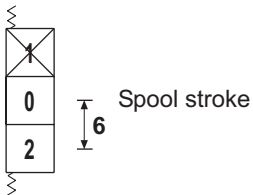
C2

Spring centered to neutral position



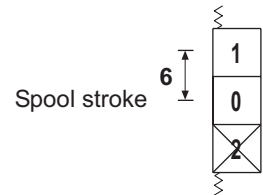
C5

Two positions (neutral/pos. 2)
with spring return in neutral



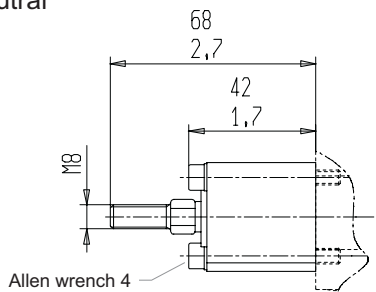
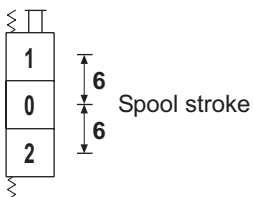
C6

Two positions (neutral/pos. 1)
with spring return in neutral



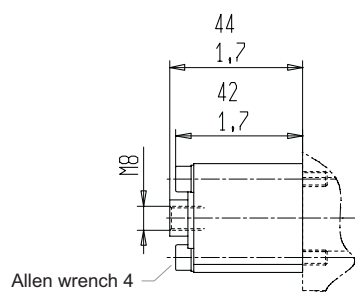
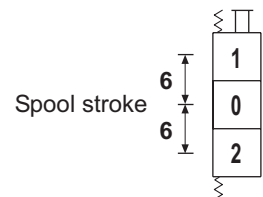
C3

Spring centered to neutral
(threaded male pivot
for remote control)



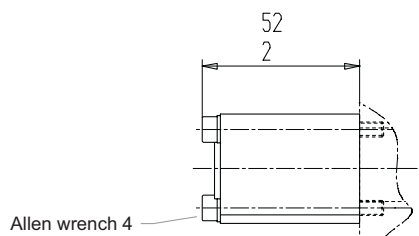
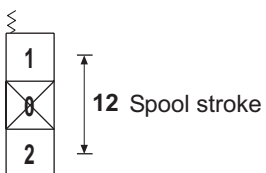
C4

Spring centered to neutral
(threaded female pivot
for remote control)



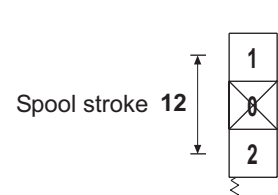
C7

Two positions (pos. 1/pos. 2)
with spring return in pos. 1



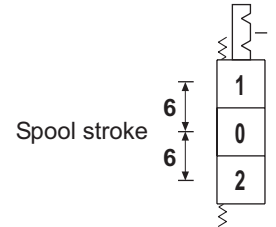
C8

Two positions (pos1/pos. 2)
with spring return in pos. 2



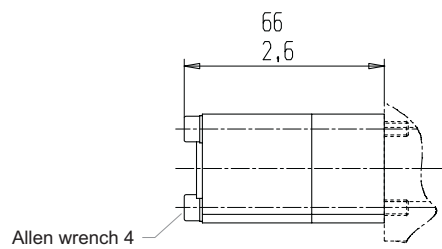
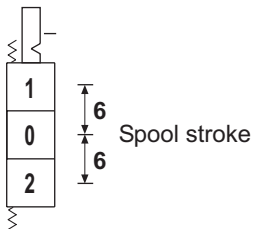
R2

Detent on pos. 1/pos. 2
with spring return in neutral



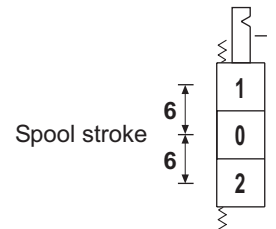
R5

Detent on pos. 2
with spring return in neutral



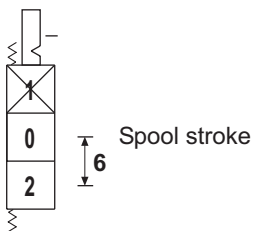
R4

Detent on pos. 1
with spring return in neutral



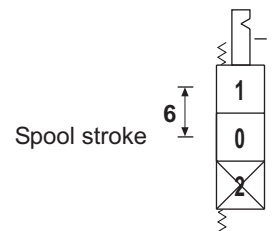
R6

Two positions with detent on pos. 2
with spring return in neutral



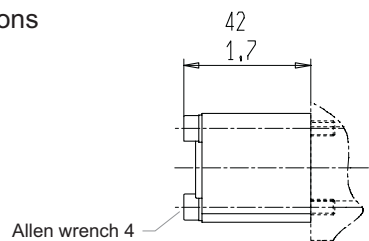
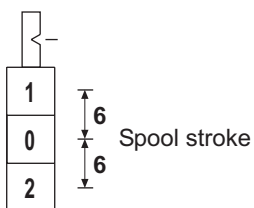
R7

Two positions with detent on pos. 1
with spring return in neutral



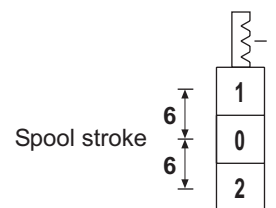
CO

Detent on each intermediate positions



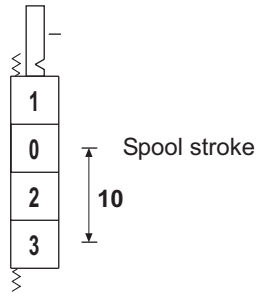
R9

Detent on pos. 1/pos. 2
and neutral position



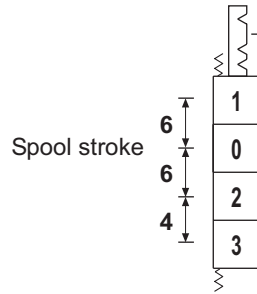
F1

Detent on pos. 3
with spring return in neutral



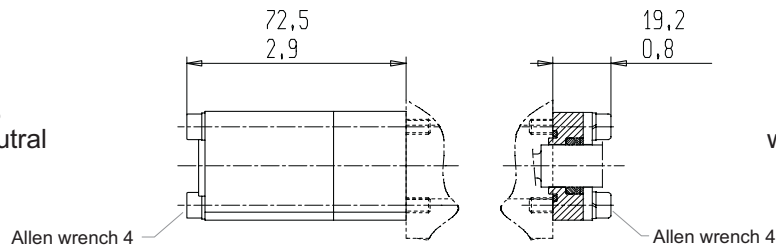
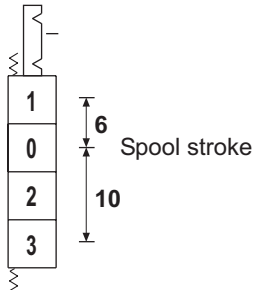
F2

Detent on pos. 1/pos. 2/pos. 3
with spring return in neutral



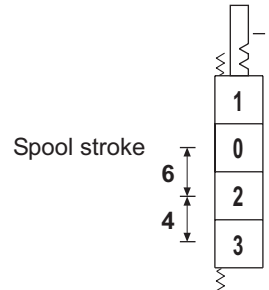
F3

Detent on pos. 1/pos. 3
with spring return in neutral



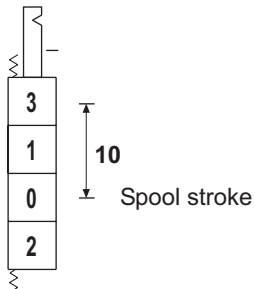
F4

Detent on pos. 2/pos. 3
with spring return in neutral



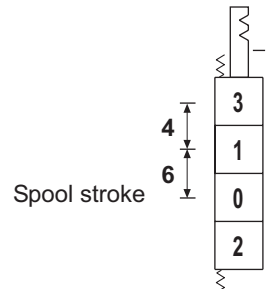
F5

Detent on pos. 3
with spring return in neutral



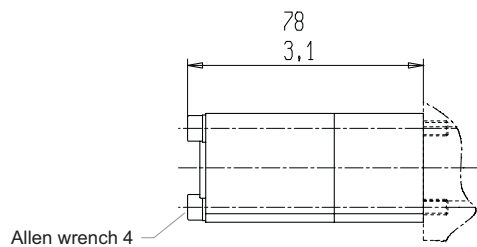
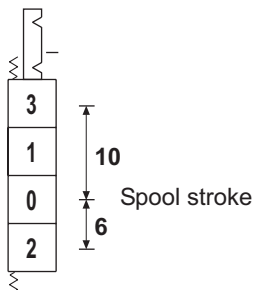
F6

Detent on pos. 1/pos. 3
with spring return in neutral



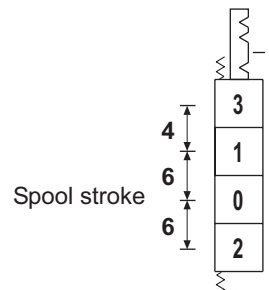
F7

Detent on pos. 2/pos. 3
with spring return in neutral

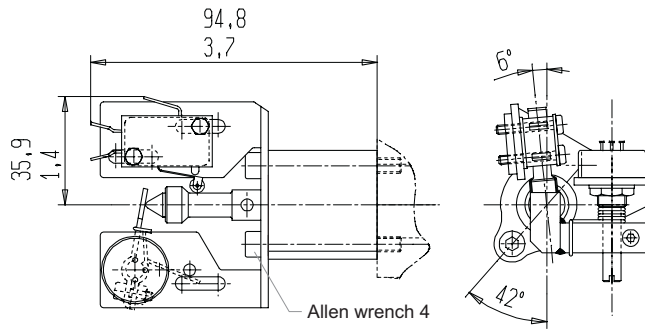


F8

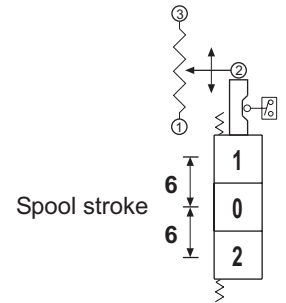
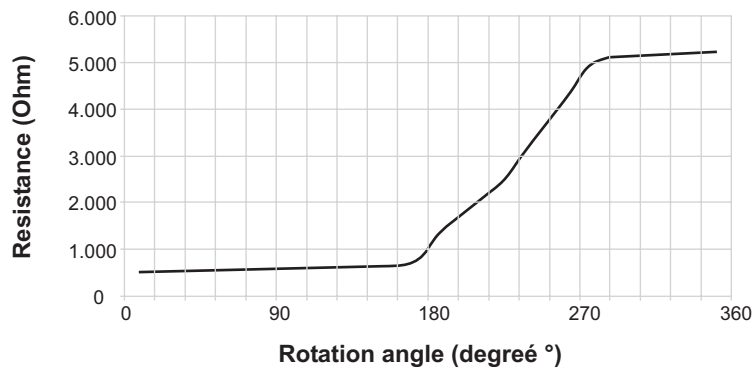
Detent on pos. 1/pos. 2/pos. 3
with spring return in neutral



PM

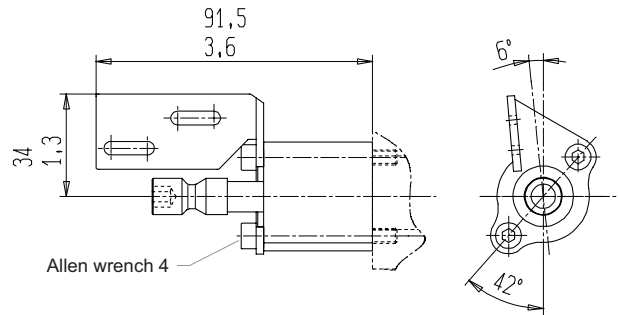
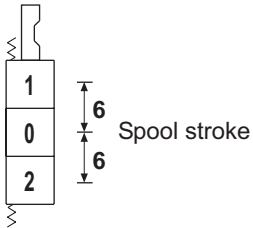


Spool positioning with microswitch to start an electric motor and potentiometer to run up speed motor (available also for single acting spools)



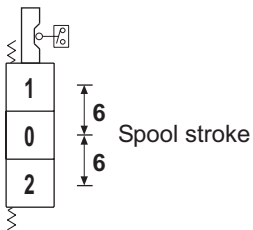
CE

Pre-arrangement for electrical device

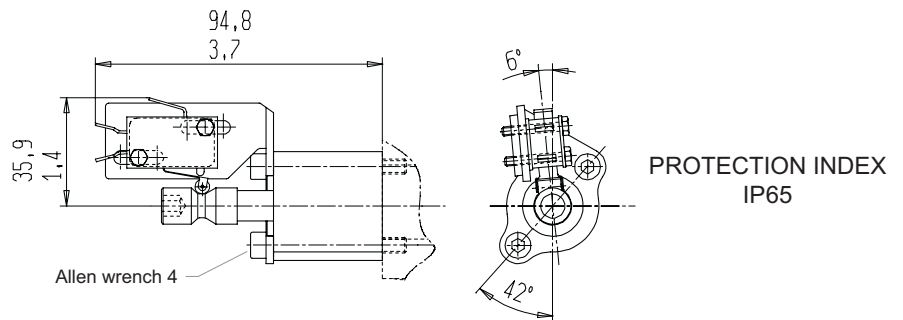


CM

Spool positioning with microswitch to start an electric motor (available also for single acting spools)

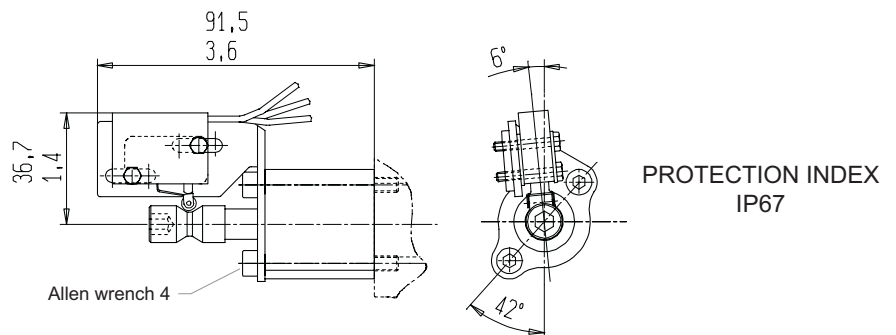
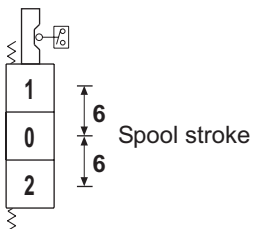


MICROSWITCH TYPE: SAIA - BURGESS XGK - 88
For more information please get in touch with our sales dept.



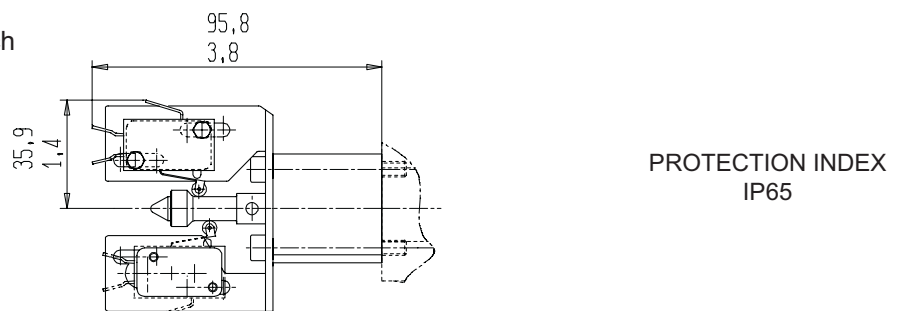
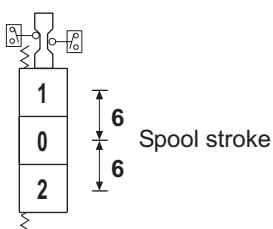
CW

Spool positioning with waterproof microswitch to start an electric motor (available also for single acting spools)



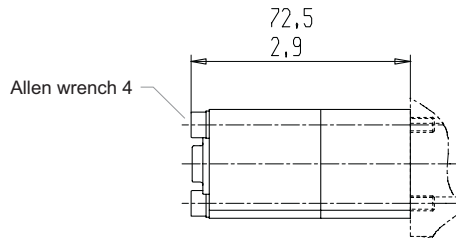
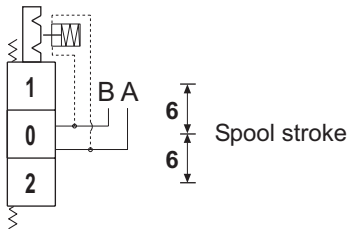
CD

Spool positioning with double microswitch (available also for single acting spools)



G2

Detent on pos. 1/pos. 2
with hydraulic kick-out

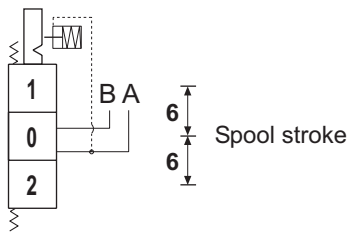


IMPORTANT:

When you order, please specify the setting pressure of the device.
With this type of spool positioning a special machining of the body is required.

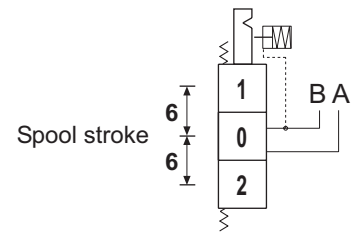
G5

Detent on pos. 2
with hydraulic kick-out



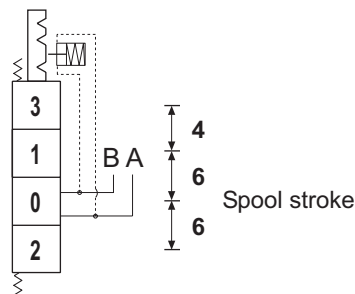
G4

Detent on pos. 1
with hydraulic kick-out



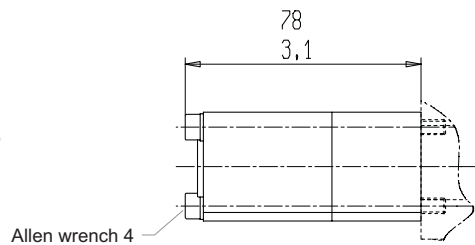
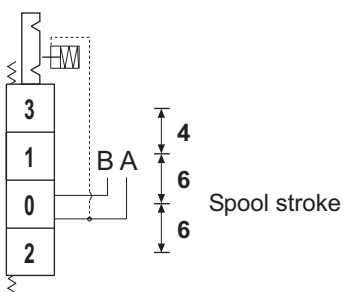
G6

Detent on pos. 1/pos. 2/pos. 3
with hydraulic kick-out
on pos. 1 and pos. 2
and manual release on pos. 3



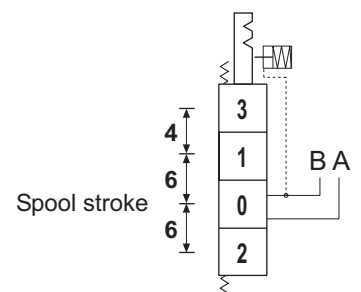
G8

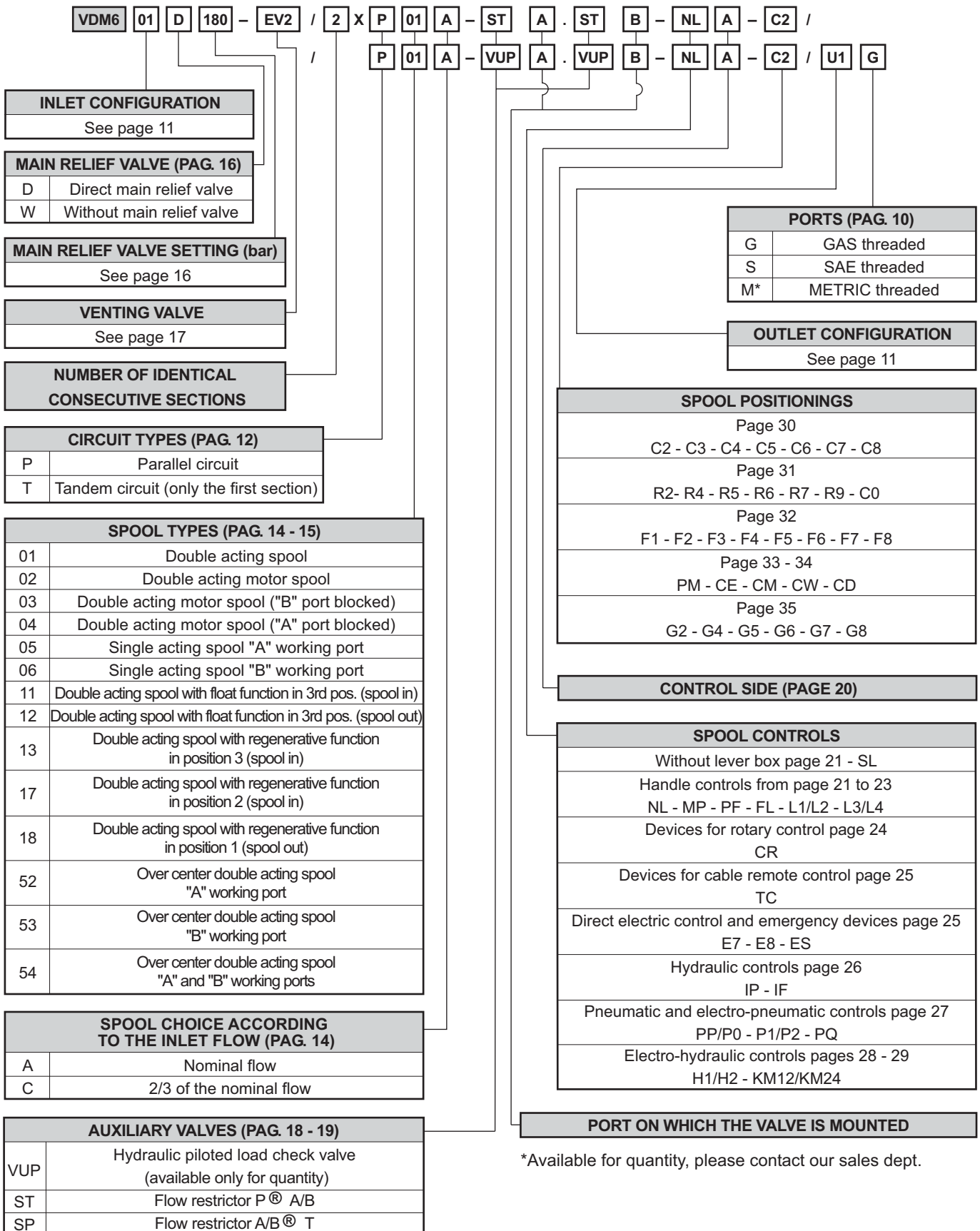
Detent on pos. 2/pos. 3
with hydraulic kick-out
on pos. 2
and manual release on pos. 3



G7

Detent on pos. 1/pos. 3
with hydraulic kick-out
on pos. 1
and manual release on pos. 3





*Available for quantity, please contact our sales dept.

DESCRIPTION OF THE NEW PRODUCT IDENTIFICATION LABEL

Based on the firm certification ISO 9001 - UNI EN 29001, section 4.8 (identification and traceability of the product), we have adopted a new identification label starting from the 1st march 1995. Pls, see following example:

A			
B			
C		D	
E	salami	F	G

- A = Product short description (eg. VD8A/FDD/U4G).**
- B = Customer part number.**
- C = Salami part number (eg. 6235 0025 0).**
- D = Production code (for Salami management)**
- E = Rotation sense (only for pumps).**
- F = Production date (see data sheet here below)**
- G = Progressive number of assembling.**

Only for pumps 2PB and 2PZ (except triple 2PB) the identification product is marked on the top of the pump body as shown here below:

SALAMI 09/02
MADE IN ITALY 4010998
612271211 nr. 13
2PB 19S B25 B5

Product short description. _____

Salami part number and progressive number of assembling. _____

Production code (for Salami management). _____

Month and year of made: maybe in the future you can find this type of production date in the label beside too. _____

Rotation sense. _____

	1990	1991	1992	1993	1994	1995	1996	1997	1998	1999	2000	2001	2002	2003	2004	2005
JANUARY	0A	1A	2A	3A	4A	5A	6A	7A	8M	9M	0M	1M	2M	3M	4M	5M
FEBRUARY	0B	1B	2B	3B	4B	5B	6B	7B	8N	9N	0N	1N	2N	3N	4N	5N
MARCH	0C	1C	2C	3C	4C	5C	6C	7C	8P	9P	0P	1P	2P	3P	4P	5P
APRIL	0D	1D	2D	3D	4D	5D	6D	7D	8Q	9Q	0Q	1Q	2Q	3Q	4Q	5Q
MAY	0E	1E	2E	3E	4E	5E	6E	7E	8R	9R	0R	1R	2R	3R	4R	5R
JUNE	0F	1F	2F	3F	4F	5F	6F	7F	8S	9S	0S	1S	2S	3S	4S	5S
JULY	0G	1G	2G	3G	4G	5G	6G	7G	8T	9T	0T	1T	2T	3T	4T	5T
AUGUST	0H	1H	2H	3H	4H	5H	6H	7H	8U	9U	0U	1U	2U	3U	4U	5U
SEPTEMBER	0I	1I	2I	3I	4I	5I	6I	7I	8V	9V	0V	1V	2V	3V	4V	5V
OCTOBER	0J	1J	2J	3J	4J	5J	6J	7J	8Z	9Z	0Z	1Z	2Z	3Z	4Z	5Z
NOVEMBER	0K	1K	2K	3K	4K	5K	6K	7K	8X	9X	0X	1X	2X	3X	4X	5X
DECEMBER	0L	1L	2L	3L	4L	5L	6L	7L	8Y	9Y	0Y	1Y	2Y	3Y	4Y	5Y

WARRANTY

- We warrant products sold by us to be free from defects in material and workmanship.
- Our sole obligation to buyer under this warranty is the repair or replacement, at our option, of any products or parts thereof which, under normal use and proper maintenance, have proven defective in material or workmanship, this warranty does not cover ordinary wear and tear, abuse, misuse, overloading, alteration.
- No claims under this warranty will be valid unless buyer notifies SALAMI in writing within a reasonable time of the buyer's discovery of such defects, but in no event later than twelve (12) months from date of shipment to buyer.
- Our obligation under this warranty shall not include any transportation charges or cost of installation, replacement, field repair, or other charges related to returning products to us; or any liability for direct, indirect or consequential damage or delay. If requested by us, products or parts for which a warranty claim is made are to be returned transportation prepaid to our factory. The risk of loss of any products or parts thereof returned to SALAMI will be on buyer.
- No employee or representative is authorized to change any warranty in any way or grant any other warranty unless such change is made in writing and signed by an officer of SALAMI.



SALAMI spa
via Emilia Ovest 1006
41100 Modena Italy
telefono 059 387411
telefax 059 387500
export@salami.it - www.salami.it



SALAMI ITALIA srl
strada Pelosa 183
S. Pietro in Trigogna VI Italy
telefono 0444 240080
telefax 0444 240204
salami.italia@salami.it



SALAMI ESPAÑA
Poligono Industrial Armenteres
C/Primer de Maig, 18, Nave 4
08980 San Feliu de Llobregat
Barcelona
telefono 93-6327288
telefax 93-6667826
info@salamispain.com



SALAMI FRANCE
22, rue Louis Saillant
69120 Vautx en Velin
Lyon
telefono 04 78 80 99 41
telefax 04 78 80 36 69
e.pasian@wanadoo.fr



149 S0. Chenango St. Ext.,
GREEN, NY 13778
Tel.: 001-607-6565702
Fax.:001-607-6565704
info@salamihydraulics.com